

### Features

- 8" TFT LCD Backlight with Resolution of 800 x 600
- Plastic Housing
- Resistive Touch Screen/Projected Capacitive Touch
- Wide-ranging 9~36V DC Power Input



### Specifications

#### I/O Port

|                      |   |
|----------------------|---|
| VGA                  | 1   |
| DVI                  | 1   |
| RCA                  | Option  |
| Touch                | 1 x USB for Touch Control<br>1 x RS-232 for Touch Control(option) |
| OSD Control Membrane | OSD keypad on the rear side                                       |
| Power                | 1 x 3-pin TB for DC 9~36V Input                                   |

#### LCD

|                                |                   |
|--------------------------------|-------------------|
| Display Type                   | 8" color TFT LCD  |
| Max. Resolution                | 800 x 600         |
| Max. Color                     | 262K              |
| Luminance (cd/m <sup>2</sup> ) | 350               |
| View Angle                     | 140 (H) / 135 (V) |
| Backlight Lifetime             | 40,000 hrs        |
| Contrast Ratio                 | 500 : 1           |

#### Power

|                   |          |
|-------------------|----------|
| Power Input       | 9~36V DC |
| Power Consumption | MAX: 5W  |

#### Touch Screen – Resistive Touch Window

|                    |                             |
|--------------------|-----------------------------|
| Interface          | USB Default (RS-232 Option) |
| Light Transmission | Over 80%                    |

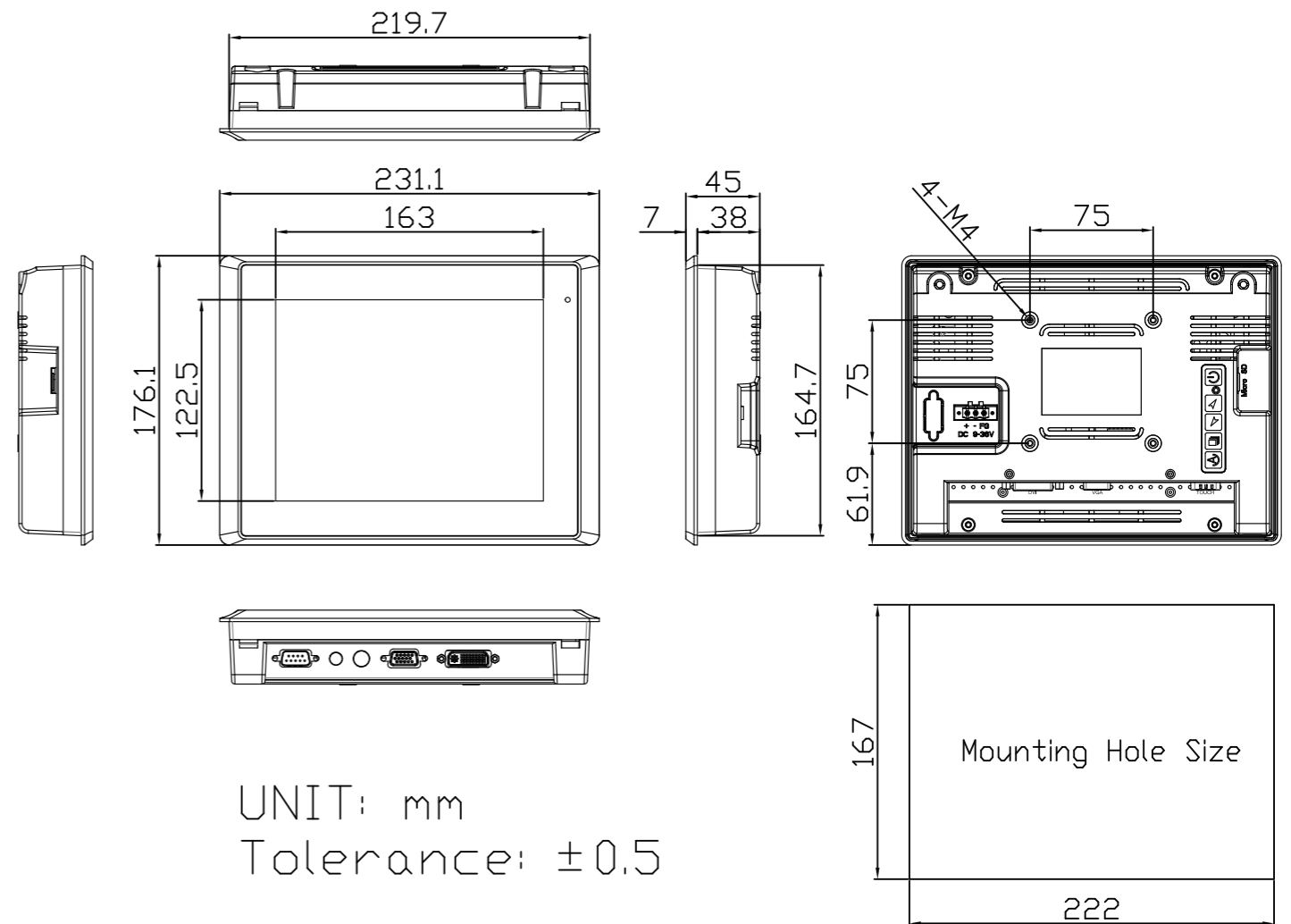
#### Touch Screen – Projected Capacitive Touch

|                    |          |
|--------------------|----------|
| Interface          | USB      |
| Light Transmission | Over 90% |

#### Mechanical

|               |                             |
|---------------|-----------------------------|
| Front Panel   | Plastic Housing/Panel Mount |
| Rear Panel    | VESA Mount 75 x 75          |
| Chassis Color | Pantone Cool Gray 11C       |
| IP Rating     | Front Panel IP65            |
| Dimensions    | 231.1 x 176.1 x 45 mm       |
| Net Weight    | 1 Kg                        |

### Dimension



#### Environmental

|                       |                              |
|-----------------------|------------------------------|
| Operating Temperature | 0~50 °C                      |
| Storage Temperature   | -20~60 °C                    |
| Storage Humidity      | 10~90% @40 °C non-condensing |
| Certificate           | CE/FCC Class A               |

#### Ordering Information

|               |   |
|---------------|---|
| ADP-1080AT-P1 | 8" 800*600 SVGA, Front IP65 Industrial Display with Resistive touch screen, VGA/DVI input, 9~36V DC power input only with Adapter, plastic enclosure            |
| ADP-1080AT-P2 | 8" 800*600 SVGA, Front IP65 Industrial Display with Projected Capacitive touch screen, VGA/DVI input, 9~36V DC power input only with Adapter, plastic enclosure |