

MT6056i

Human Machine Interface
with 5.6" TFT LCD display



Features

- 5.6" 320x234 TFT LCD
- Fan-less cooling system
- Built-in flash memory and RTC
- NEMA4/IP65 compliant front panel
- LED Back Light
- One USB client port
- Power Isolator Inside

Introduction

MT6000 series is the new HMI generation of Weintek. With the design concept of meeting customers' satisfaction while easy-to-Use attribute as before, a MT6000 not only performs as a Human Machine Interface but also plays as a role of data exchange center. MT6000 series is the best choice for your requirement tomorrow.

The MT6056i includes include a USB 2.0 high speed device.

Specifications

- **Construction:** plastic molding housing
- **Display:** 5.6" 65,536color TFT LCD
- **CPU and core logic:** 32Bit RISC 400MHz processor
- **DRAM:** 64 MB DDR2 on board
- **Storage:** 128 MB flash memory on board,
(User project size: 16MB, Data and Event log size: 48MB)
- **I/O:** serial ports:Com1: RS-232/RS-485 2w/4w,
1 USB 2.0 high speed device
- **RTC:** Built-in
- **Power input:** 24±20%V_{DC},250mA@24VDC
- **Dimension (W x H x D):** 204 x 150 x 48mm
- **Weight:** 0.85kg
- **Software:** EB8000 V3.0.0 or later

LCD Display

| Display type | TFT LCD |
|--------------------------------|-----------------------|
| Display size (diagonal) | 5.6" |
| Max colors | 65536 |
| Resolution | 320 x 234 |
| Pixel pitch (HxV, mm) | 0.362 x 0.118 |
| Viewing angle (°) | 45/65/65/65 (T/B/R/L) |
| Luminance (cd/m ²) | 300 |
| Backlight | LED |
| Backlight Life time | 30,000 hrs. |
| Contrast ratio | 300:1 |

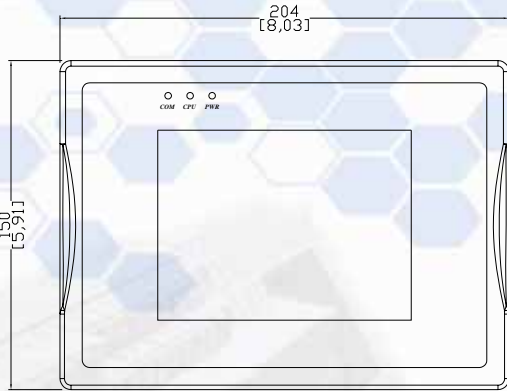
Touchscreen

- **Type:** 4-wire, analog resistive
- **Resolution:** continuous
- **Light transmission:** above 80%
- **Life:** 1 million activation minimum

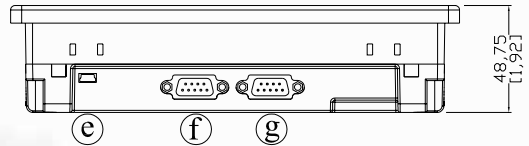
Environmental Specifications

- **Operating temperature:** 0° ~ 45°C (32° ~ 113°F)
- **Relative humidity:** 10% ~ 90% @ 40°C, non-condensing
- **Shock (operation):** 10 to 25Hz(X,Y,Z direction 2G 30minutes)
- **EMI:** Complies with FCC class A
- **CE:** Complies with EN50081-2 and EN50082-2 standards
- **Front panel meets NEMA4 / IP65**

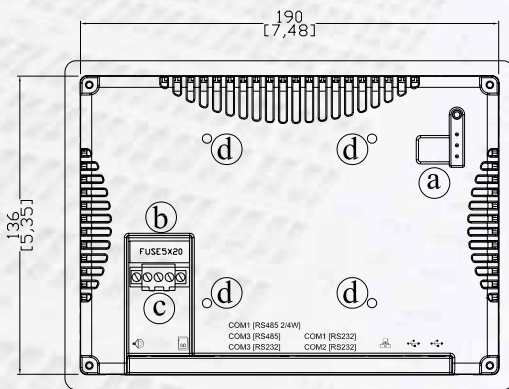
Dimensions Drawing



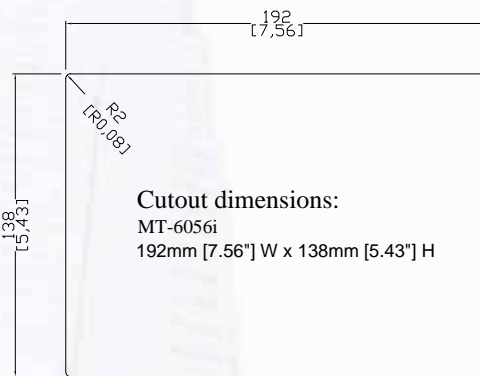
Front View



Bottom View



Rear View



| | | | |
|---|-----------------------|---|-----------------|
| a | DIP SW & Reset button | e | USB Device port |
| b | Fuse | f | Com1[RS232] |
| c | Power connector | g | Com1[RS485] |
| d | VESA 75mm screw holes | | |

Ordering Information

- MT6056i:**
5.6" TFT LCD HMI, 128MB flash memory/64MB DDR2 RAM on board.
- RZCMT6100:**
MT6000/8000 i series download cable / Mini USB to USB 2.0 100 cm
- RP2005060:**
5.6" Protective Sheet