

## Features

- 32" Industrial Compact Size Panel PC
- Flat Front bezel design meets IP65
- Fanless design
- Intel 6th Gen. Core i5-6300U CPU Onboard
- 2 x SODIMM 204-pin DDR3L up to 16GB
- 90~264V AC ~50/60Hz



## Specifications

System	
CPU	Onboard Intel 6th Gen. Core i5-6300U CPU
System Chipset	SoC
Memory	2 x SODIMM 204-pin DDR3L up to 16GB
Stereo Speaker	5W FC-K603820B-5W-8-W100L-PM-2P x 2 (option)

IO Port	
USB	4 x USB 3.0 type A
Serial/Parallel	1 x RS-232/422/485 DB-9 (Default RS-232), COM1 1 x RS-232/422/485 DB-9 (Default RS-232), COM2
Audio	1 x Audio Line Out 1 x Mic-in
LAN	2 x GbE LAN RJ-45
Power	1 x DC-in
Others	1 x DP++

Storage Space	
Storage	2 x 2.5" SATA HDD bay for SATA HDD (Easy Accessible)

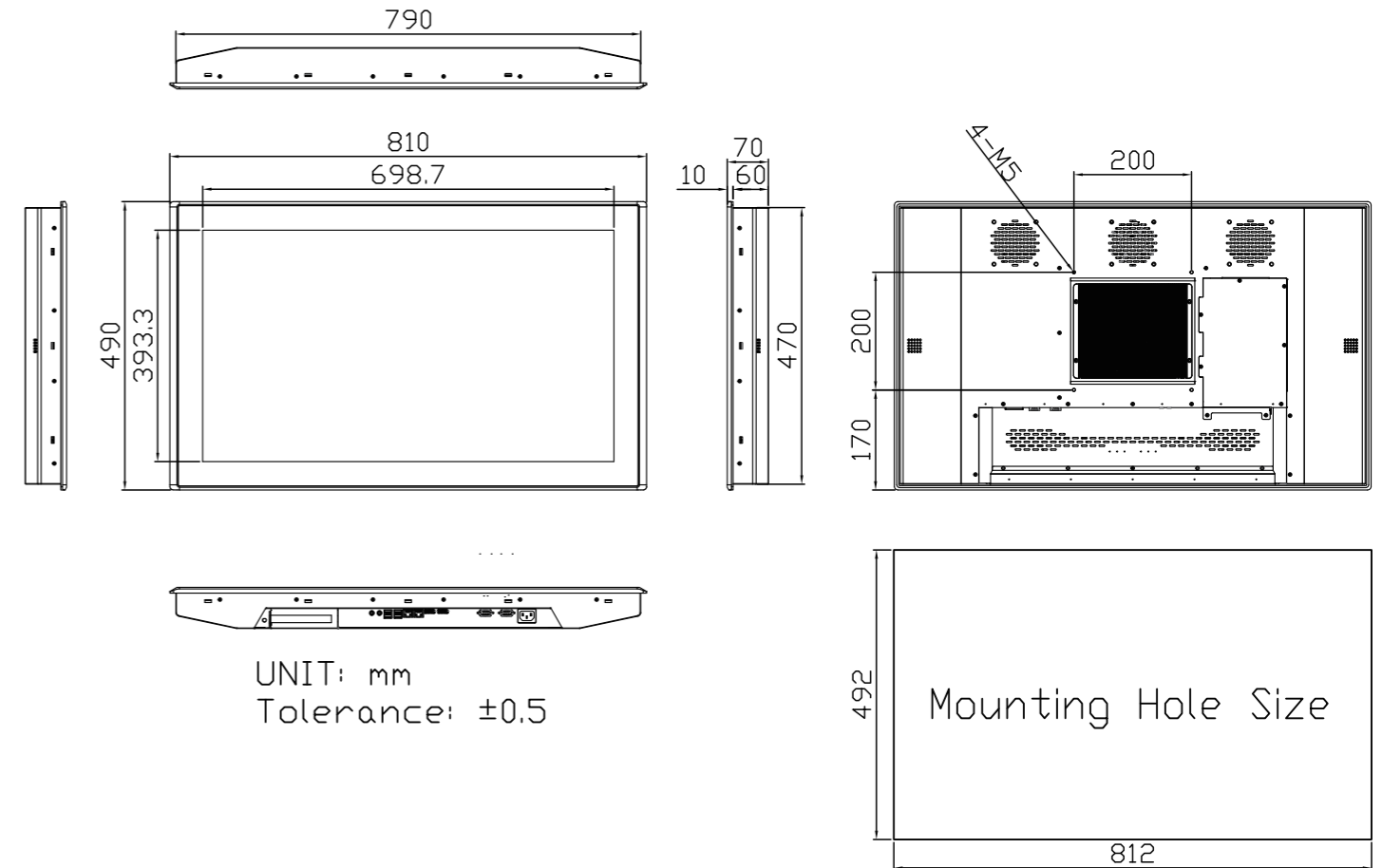
Expansion	
Expansion Slot	2 x Internal Mini-PCIe slot full size

Display	
Display Type	32" TFT-LCD
Max. Resolution	1920x1080
Max. Color	16.7M
Contrast Ratio	3000 : 1
Luminance (cd/m <sup>2</sup> )	500
View angle(H°/V°)	H:178° / V:178°
Backlight Lifetime (Hrs)	30,000 hrs

Touch Screen - Projected Capacitive Type	
Interface	USB
Light Transmission(%)	Over 90%

Power	
Power Input	90~264V AC
Power Consumption	MAX: 64W

## Dimensions



Mechanical	
Front Bezel	Flat Bezel design
Front Bezel Metal	Aluminum / Panel Mounting
Rear Panel Metal	Aluminum / VESA 200 x 200
Dimensions (WxHxD)	810 x 490 x 70 mm
IP Rating	Front bezel meets IP65
Net Weight (Kgs)	16.5 Kg

Environmental	
Operating Temperature	0~50°C
Storage Temperature	-20~60°C
Storage Humidity	10 to 90% @ 40°C, non-condensing
Certificate	CE / FCC Class A

Operating System Support	
Windows Embedded Compact 7, Windows Embedded Standard 7, Windows 7 Pro(FES), Windows 7 Ultimate(FES), Windows Embedded 8 Standard, Windows Embedded 8.1 industry Pro, Windows 10 IoT Enterprise 2015LTSP	