



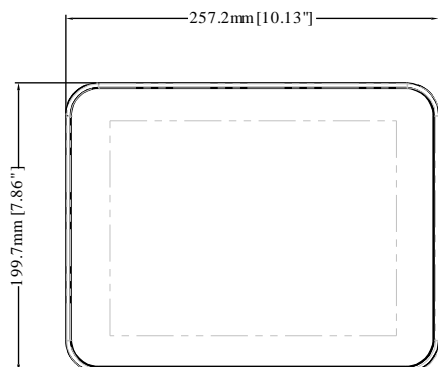
Cloud Human Machine Interface

Features

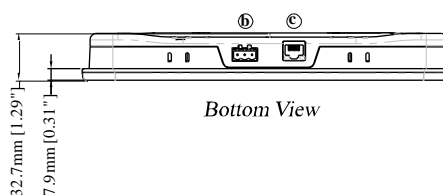
- 9.7" 1024 x 768 TFT LCD, LED Backlight
- Fan-less Cooling System
- Built-in 512 MB Flash Memory
- One Gigabit Ethernet Port
- Built-in mono speaker
- Built-in Power Isolator

Display	Display	9.7" TFT
	Resolution	1024 x 768
	Brightness (cd/m ²)	350
	Contrast Ratio	500:1
	Backlight Type	LED
	Backlight Life Time	>30,000 hrs.
	Colors	262K
Touch Panel	Type	Tempered Glass, Capacitive Type
	Accuracy	Active Area Length(X)±2%, Width(Y)±2%
Memory	Flash	512 MB
	RAM	1 GB
Processor		32 bits RISC Cortex-A9 1GHz
I/O Port	SD Card Slot	N/A
	USB Host	N/A
	USB Client	N/A
	Ethernet	10/100/1000 Base T x 1
	COM Port	N/A
	RS-485 Dual Isolation	N/A
	CAN Bus	N/A
	HDMI	N/A
	Audio Output	Built-in Mono Speaker
	Video Input	N/A
RTC		Built-in
Power	Input Power	24±20%VDC
	Power Isolation	Built-in
	Power Consumption	900mA@24VDC
	Voltage Resistance	500VAC (1 min.)
	Isolation Resistance	Exceed 50MΩ at 500VDC
	Vibration Endurance	10 to 25Hz (X, Y, Z direction 2G 30 minutes)
Specification	PCB Coating	Yes
	Enclosure	Plastic
	Dimensions WxHxD	257.2 x 199.7 x 32.7 mm
	Panel Cutout	250 x 192 mm
	Weight	Approx. 0.76 kg
	Mount	Panel mount, VESA mount 75 x 75 mm
Environment	Protection Structure	NEMA4 / IP65 Compliant Front Panel
	Storage Temperature	-20° ~ 60°C (-4° ~ 140°F)
	Operating Temperature	0° ~ 50°C (32° ~ 122°F)
	Relative Humidity	10% ~ 90% (non-condensing)
Certificate	CE	CE marked
	UL	cULus Listed
Language	Display	English, French, Italian, Spanish, Russian, Simplified Chinese, Traditional Chinese, Korean, German
	Input Methods	English, French, Italian, Spanish, German, Russian, Pinyin, Zhuyin
Software		cMT Viewer

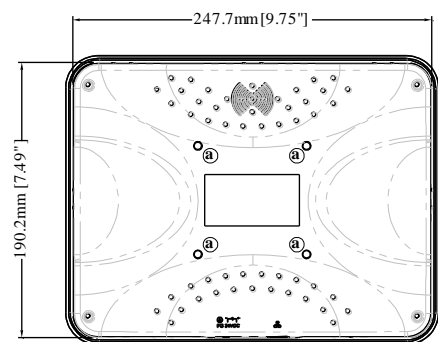
cMT-iV5 Dimensions



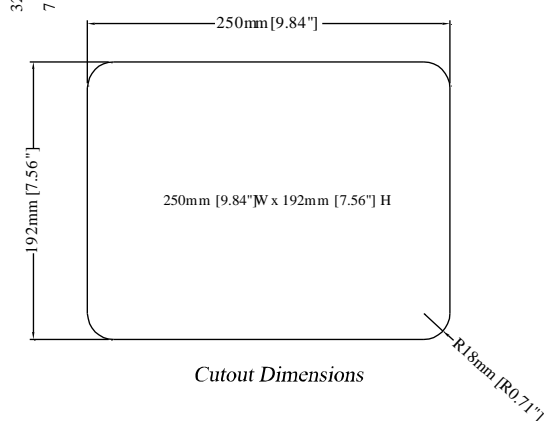
Front View



Bottom View



Rear View



Cutout Dimensions

a	VESA 75 mm Screw Holes	c	Ethernet Port
b	Power Connector		

Ordering Information

cMT-iV5

Cloud Human Machine Interface
512 MB flash memory
1 GB RAM on board
10/100/1000M Ethernet port x 1

cMT-SVRiV5

cMT-SVR & cMT-iV5 Bundle Package
cMT-SVR x 1
cMT-iV5 x 1
Ethernet cable 2m x 1

Contact: WEINTEK LABS., INC. TEL: +886-2-22286770 Web: www.weintek.com cMT_iV5_Datasheet_ENG_20160324