



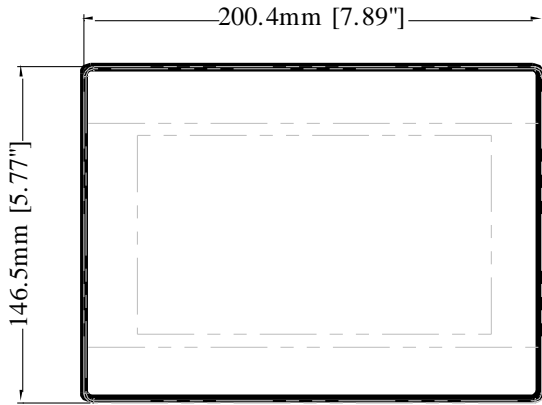
**Human Machine Interface  
with 7" TFT LCD display**

◆ **Features**

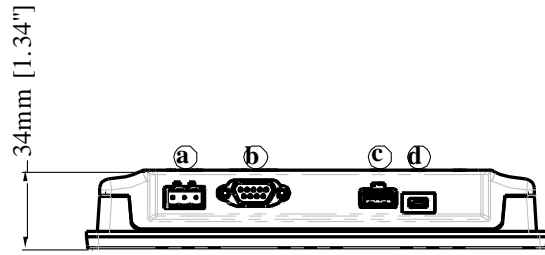
- 7" 800x480 TFT LCD
- Fan-less cooling system
- Built-in flash memory and RTC
- IP65 compliant front panel
- LED Back Light
- Com2 RS485 supports MPI 187.5K

<b>Display</b>	Display	7" TFT LCD
	Resolution	800 x 480
	Brightness (cd/m <sup>2</sup> )	350
	Contrast Ratio	500:1
	Backlight Type	LED
	Backlight Life Time	>30,000 hrs.
	Colors	65536 colors
<b>Touch Panel</b>	Type	4-wire Resistive Type
	Accuracy	Active Area Length(X)±2%, Width(Y)±2%
<b>Memory</b>	Storage(MB)	128
	RAM (MB)	64
<b>Processor</b>		32Bit RISC CPU 400MHz
<b>I/O Port</b>	USB Host	USB 1.1 x 1
	USB Client	USB 2.0 x 1
	Ethernet	N/A
	COM Port	COM1 RS-232 COM2 RS-485 2W/4W
<b>RTC</b>		Built-in
<b>Power</b>	Input Power	24±20%VDC
	Power Consumption	300mA@24VDC
	Voltage Resistance	500VAC (1 minute)
	Isolation Resistance	Exceed 50MΩ at 500VDC
	Vibration Endurance	10 to 25Hz(X,Y,Z direction 2G 30 minutes)
<b>Specification</b>	Enclosure	Plastic
	Dimensions WxHxD	200.4 x 146.5 x 34mm
	Panel Cutout (mm)	192 x 138 (7.5" x 5.4")
	Weight (kg)	Approx. 0.52 kg (1.15lbs.)
<b>Environment</b>	Protection Structure	NEMA4 / IP65
	Storage Temperature	-20° ~ 60°C (-4° ~ 140°F)
	Operating Temperature	0° ~ 50°C (32° ~ 122°F)
	Relative Humidity	10% ~ 90% RH (non-condensing)
<b>Certification</b>	CE requirements	EN55022:2010, EN55024: 2010, EN61000-3-2:2006+A2:2009, EN6100-3-3:2008, AS/NZS CISPR22:2009+A1:2010
<b>Software</b>		EasyBuilder8000 V4.65.06 or later versions

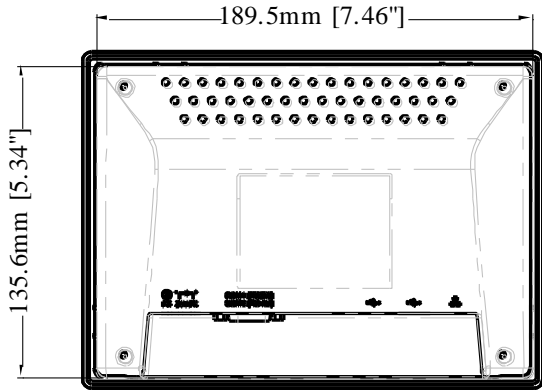
◆ **Dimensions Drawing**



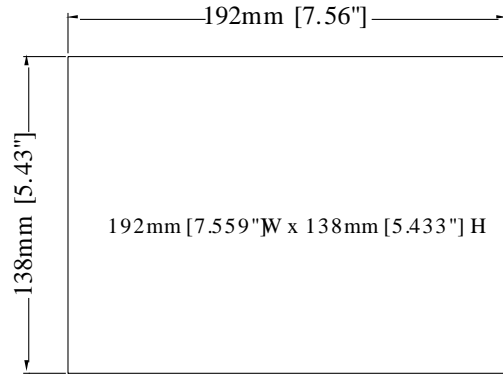
*Front View*



*Bottom View*



*Rear View*



*Cutout Dimensions*

a	Power Connector	c	USB Host
b	Com1 RS232 Com2 RS485 2W/4W	d	USB Client

**Pin Assignment: COM1 [RS-232], COM2 [RS-485]**

Pin#	Symbol	Com1 [RS232]	Com2 [RS485]	
			4w	2w
1	Rx-		Rx-	Data-
2	Rx+		Rx+	Data+
3	Tx-		Tx-	
4	Tx+		Tx+	
5	GND	GND		
6	TxD	TxD		
7	RTS	RTS		
8	CTS	CTS		
9	RxD	RxD		

*Ordering Information*

- ❑ **MT6070iP:**  
7" 800x480 TFT LCD HMI, built-in 128MB flash memory/64MB DDR2 RAM on board.
- ❑ **RZCMT6100:**  
USB download cable / Mini USB to USB 2.0 100 cm
- ❑ **RZCT60700:**  
Multi-connector cable Com1 [232] / Com2 [485]