

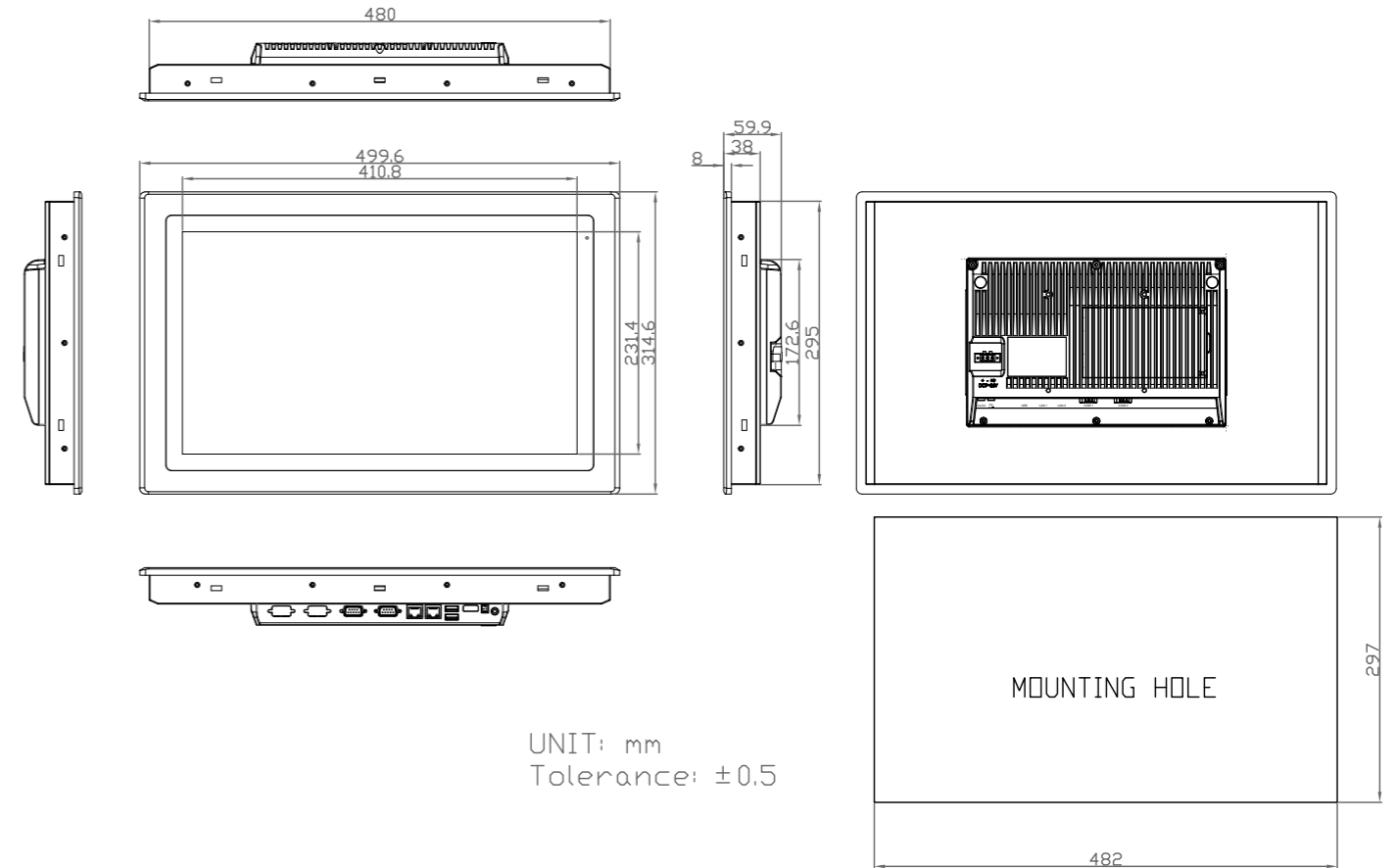
Features

- 18.5" Industrial Compact Size Panel PC
- Intel Celeron N2930(1.83GHz) CPU built-in / Atom E3845(1.91GHz) for option
- Onboard 4GB DDR3L 1333MHz/8GB(option)
- Flat Front Panel Touch Screen and Fanless Design
- DC 9~36V Wide-Ranging Power Input
- IP66 Compliant Front Panel
- Optional Projected Capacitive Touch Screen Support 7H Anti-Scratch Surface

Specifications

| System | | |
|--------------------------------|--|-----------------|
| CPU | Intel Celeron N2930 Processor (2M Cache,1.83GHz) Atom E3845 Processor (2M Cache,1.91GHz) | |
| System Chipset | SoC | |
| Memory | Onboard 4GB DDR3L SDRAM, up to 8GB (option) | |
| I/O Port | | |
| USB | 2 x USB 3.0 type A | |
| Serial / Parallel | 1 x DB-9 RS-232/422/485, COM1 (Default RS-232) 1 x RS-232 DB-9, COM2 | |
| Audio | 1 x Audio Line Out | |
| LAN | 2 x GbE LAN RJ-45 | |
| Power | 1 x 3-pin DC power input terminal 1 x 2-pin connector for power on/off button | |
| Option | VESA Stand 4G LTE/WiFi/ BT 4 x USB 2.0 type A (TB-528U4) 4 x USB 2.0 type A + 1 x Mini-PCle + 1 x SIM slot (TB-528U4ME1) 2 x COM (RS-232) (TB-528C2) 1 x COM (RS-232) + 2 x USB 2.0 (TB-528C1U2) 1 x COM (RS-232) + 2 x USB 2.0 + 1 x Power Button (TB-528C1U2P1) 2 x COM (RS-232) + 1 x Mini-PCle slot + 1 x SIM slot (TB-528C2ME1) 2 x COM (RS-422/485, isolated) (TB-528C2I) 2 x CAN (TB-528CAN2) 1 x LAN + 2 x USB 2.0 type A (TB-528E1U2) 1 x LAN(45W isolated PoE PD) + 2 x USB 2.0 type A (TB528E1U2UPOE)* Backup Battery 21W/10.8V/1.95Ah(3S1P) System is only allowed to build in either TB-528 PoE series or backup battery | |
| Storage Space | | |
| HDD | 1 x 2.5" SATA3 HDD space | |
| Movable Device | 1 x Micro SD card slot, up to 32GB | |
| Expansion | | |
| Onboard Expansion bus | 1 x Mini-PCle slot (full size) 1 x Micro SIM slot | |
| Display | | |
| Display Type | 18.5" TFT-LCD | 18.5" TFT-LCD |
| Max. Resolution | 1366 x 768 | 1920 x 1080 |
| Max. Color | 16.7M | 16.7M |
| Luminance (cd/m ²) | 300 | 350 |
| View Angle | 170(H) / 160(V) | 178(H) / 178(V) |
| Contrast | 1000:1 | 1000:1 |
| Backlight Lifetime | 50,000 hrs | 40,000 hrs |
| Touch Screen | | |
| Type | Resistive Touch Projected Capacitive Touch (for P model) | |
| Interface | USB | |
| Light Transmission(%) | Resistive Touch: 80% Projected Capacitive Touch: 90% | |

Dimensions



| Power | |
|--------------------------|---|
| Power Input | DC 9~36V |
| Power Consumption | ARCHMI-818P: 45W (MAX) |
| Mechanical | |
| Construction | Aluminum Die-casting Chassis |
| Mounting | Panel Mount, VESA 100 x 100 |
| Dimensions (WxHxD) | 499.6 x 314.6 x 59.9 mm |
| IP Rating | IP66 Compliant Front Bezel |
| Net Weight | 6 kg |
| Environmental | |
| Operating Temperature | 0~50°C/ -20~60°C (option) |
| Storage Temperature | -30~70°C |
| Humidity | 10 to 90%@ 40°C, non-condensing |
| Certificate | CE/FCC Class A/CB/UL |
| Operating System Support | |
| Windows 10 IoT | |
| Ordering Information | |
| ARCHMI-818 | 18.5" WXGA Fanless HMI barebone with Intel N2930 1.83G CPU, 2GB DDR3L RAM, Resistive touch screen, DC 9~36V input with adapter, Aluminum chassis |
| ARCHMI-818P | 18.5" WXGA Fanless HMI barebone with Intel N2930 1.83G CPU, 2GB DDR3L RAM, Projected Capacitive touch screen, DC 9~36V input with adapter, Aluminum chassis |

*PoE limitation: CPU turbo off, rear I/O no loading, 70% LED backlight, PSE cable length < 50m