

# CV-W115/P2000

15.6" 6th Gen. Intel® Core™ Processor U Series Fanless Touch Panel PC with CFM & CDS Technology



## Key Features

- 15.6" WXGA TFT-LCD with Resistive 5-wire / Projected Capacitive Touch
- Onboard Intel® 6th Generation Core™ Processor U Series (15W)
- 2x DDR4 SO-DIMM Socket, Support Up to 32 GB
- Integrated Intel® HD Graphics 520 Support Triple Display
- 2x 2.5" SATA HDD Bay, 1x mSATA and 1x CFAST Socket
- IP65 Compliant Aluminum Die-Cast Front Frame
- 2x Full-size Mini-PCIe Socket for Wireless and I/O Expansion
- Support CFM Technology for PoE and Ignition Sensing Functions
- Rich I/O (2x GbE LAN, 6x COM, 5x USB, 16x Isolated DI/O)
- Support Instant Reboot Technology
- Wide Operating Temperature (0°C to 60°C)
- SuperCap integrated for CMOS Battery Maintenance-Free
- PCI/PCIe Expandable Version Available (CV-W115/P2002E)

## »» Overview

Cincoze CV-W115/P2000 Series is a 15.6" high performance fanless and jumperless rugged touch panel PC powered by Intel® 6th generation Core™ processor U series, offering more computing power, faster data processing and a 40% boost to graphics performance, while consuming only 15W of power.

The CV-W115/P2000 Series supports CFM (Control Function Module) Technology, Cincoze own defined interface with integrated power boost and control signal that allows you to extend PoE and ignition sensing functions with additional CFM boards. In addition Cincoze offers a full series of Mini-PCIe Expansion I/O Card (MEC) for adding extra I/O through the universal bracket. The CV-W115/P2000 Series comes with the slim version, and the expandable version (PCI/PCIe card expansion) made with outstanding modular design concept for the greatest flexibility to fulfill the versatile industrial applications.

The CV-W115/P2000 Series is a truly rugged computing system supporting wide operating temperature from 0°C to 60°C, wide range DC input from 9V to 48V, and various kinds of industrial protections. Moreover the instant reboot circuit design allows the system to cope with critical power request for factory applications. The CV-W115/P2000 Series has an integrated SuperCap to avoid high downtime cost of replacing CMOS battery and be absolutely maintenance-free.

## »» Highlights

### CDS Technology

CDS (Convertible Display Systems) is patented technology from Cincoze, which is a revolutionary panel PC solution that offers features of modular design, configured on demand, scalability, transformability and Plug & Play.

### CFM Technology

CFM (Control Function Module) is a technology created by Cincoze, it enables function enhancement by adding specific CFM boards. CFM Technology allows CV-100/P2000 Series to support PoE and IGN function for various applications.

### Instant Reboot

The CV-100/P2000 Series supports 0.2 second instant reboot for critical factory application.

### SuperCap

SuperCap is an extremely high volume capacitor, which can be recharged automatically when power is connected (without power Min. 50 days / Max. 70 days), you never need to change CMOS battery, and it makes CV-100/P2000 Series a truly reliable and maintenance-free system.

## » Specifications

### Display

- LCD Size: 15.6" (16:9)
- Max. Resolution: 1366 x 768
- Brightness (cd/m<sup>2</sup>): 400
- Contrast Ratio: 500 : 1
- LCD Color: 16.2M
- Pixel Pitch (mm): 0.252 (H) x 0.252 (V)
- Viewing Angle (H-V): 170 / 160
- Backlight MTBF: 50,000 hrs (LED Backlight)

### Touch

- Resistive 5-wire Touch for CV-W115R/P2000 Only
- Projected Capacitive Touch for CV-W115C/P2000 Only

### Processor System

- Onboard 6th Intel® Core™ U processors (Skylake)
  - Intel® Core™ i5-6300U processor (3M Cache, up to 3.00 GHz)
  - TDP: 15 W
  - BIOS: AMI 64Mbit SPI BIOS

### Memory

- 2x DDR4 260-pin SO-DIMM socket, support up to 32 GB (2133MHz, un-buffered and non-ECC type)

### Graphics

- Intel® HD Graphics 520
- Triple display with 1x VGA, 1x DVI-D and 1x CDS interface

### Audio

- Realtek® ALC888-GR
- High Definition Audio

### I/O Interface

- 1x VGA (Up to 1920 x 1080 @ 60Hz), DB-15
- 1x DVI-D (Up to 1920 x 1080 @ 60Hz)
- 1x CDS Interface, Compact PCI Connector
- 2x GbE LAN (Support WoL, Teaming, Jumbo Frame and PXE), RJ45
  - GbE1: Intel I219LM
  - GbE2: Intel I210AT
- 2x PoE+ (with Optional CFM PoE Module)
  - Comply with IEEE 802.3at, Offers Up to 25.5W Per Port
- 6x RS-232/422/485 with Auto Flow Control (Support 5V/12V), DB9
- 4x USB 3.0, Type-A
- 1x USB 2.0, Type-A
- 16x Isolated DIO (8x DI/8x DO), 20-Pin Terminal Block
- 1x Line-out & 1x Mic-in, Phone Jack 3.5mm
- 1x Power On/Off Switch
- 1x Reset Button
- 1x AT/ATX Switch
- 1x Remote Power On/Off Connector, 2-Pin Terminal Block
- 1x External FAN Connector, 4-Pin Terminal Block

### Storage

- 2x 2.5" SATA HDD/SSD Bay, Support RAID 0/1 (Gen3)
- 2x mSATA (One Shared by Mini-PCIe Socket) (Gen2)
- 1x CFast Socket (Gen3)

### Expansion

- 1x CFM PoE interface
- 1x CFM IGN interface
- 2x Full-size Mini-PCIe Socket
- 1x Universal I/O Bracket
- 1x SIM Socket
- 4x Antenna Hole

### Other Function

- Support CDS Technology
- Support CFM Technology
- Support Instant Reboot Technology (0.2 sec)
- Support Power Ignition Sensing (IGN)
- Support OSD Function
  - (LCD On/Off, Brightness Up, Brightness Down for CDS Display Module)
- Internal Speaker AMP 2W + 2W
- SuperCap Integrated
- Watchdog Timer:
  - Software Programmable Supports 1~255 sec. System Reset

### Power Requirement

- Support AT/ATX Power Mode
- Power Input Voltage 9~48VDC
- One 3-pin Terminal Block Connector
- Optional Power Adapter AC/DC 12V/5A 60W or 24V/5A 120W

### Physical

- Dimension (WxHxD): CV-W115/P2002: 420 x 254 x 91.5 mm  
CV-W115/P2002E: 420 x 254 x 109.5 mm
- Weight: CV-W115/P2002: 7.17 kg  
CV-W115/P2002E: 7.43 kg
- Die-cast Flat Surface
- Support Panel / Wall / Arm / VESA Mounting
- Fanless Design
- Jumper-less Design

### Protection

- Reverse Power Input Protection
- Over Voltage Protection: 58V
- Over Current Protection: 15A
- ESD Protection: +/-15kV (air), +/-8kV (contact)
- Surge Protection: 3kW

### Operating System

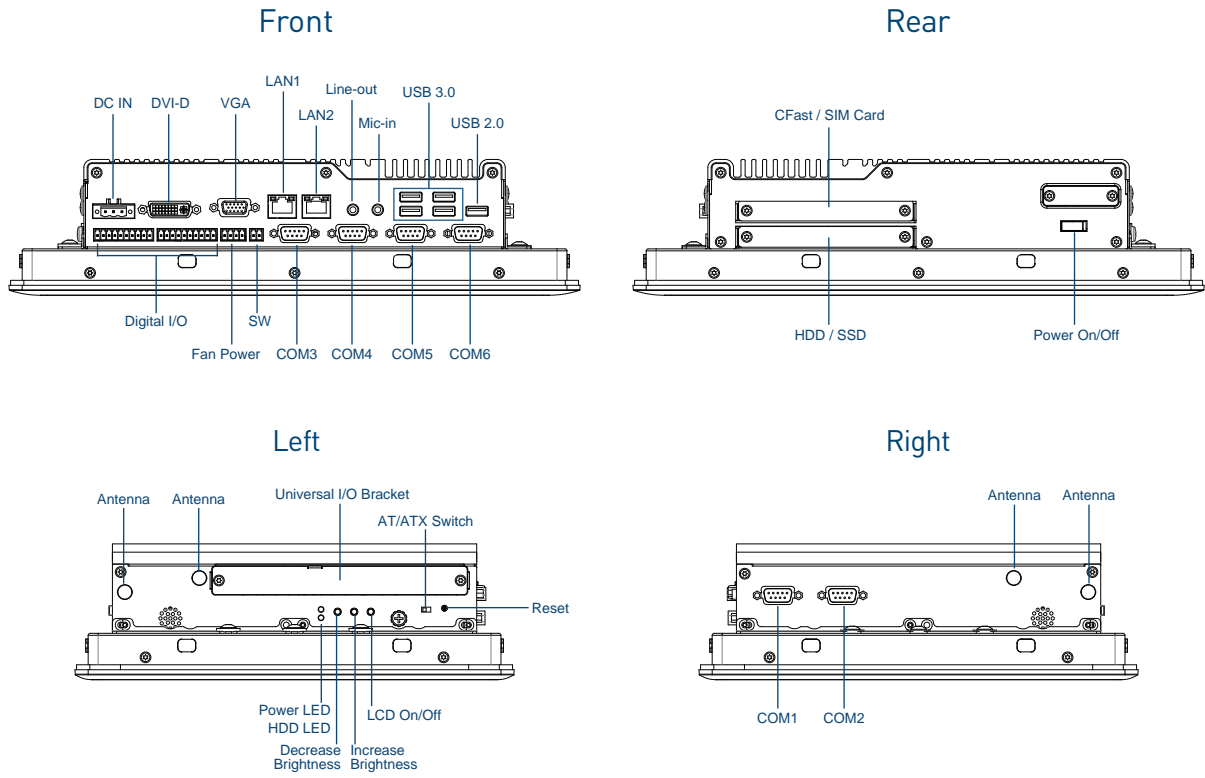
- Windows® 10
- Windows® 8.1
- Windows® 7
- Linux® Kerne l 3.X

### Environment

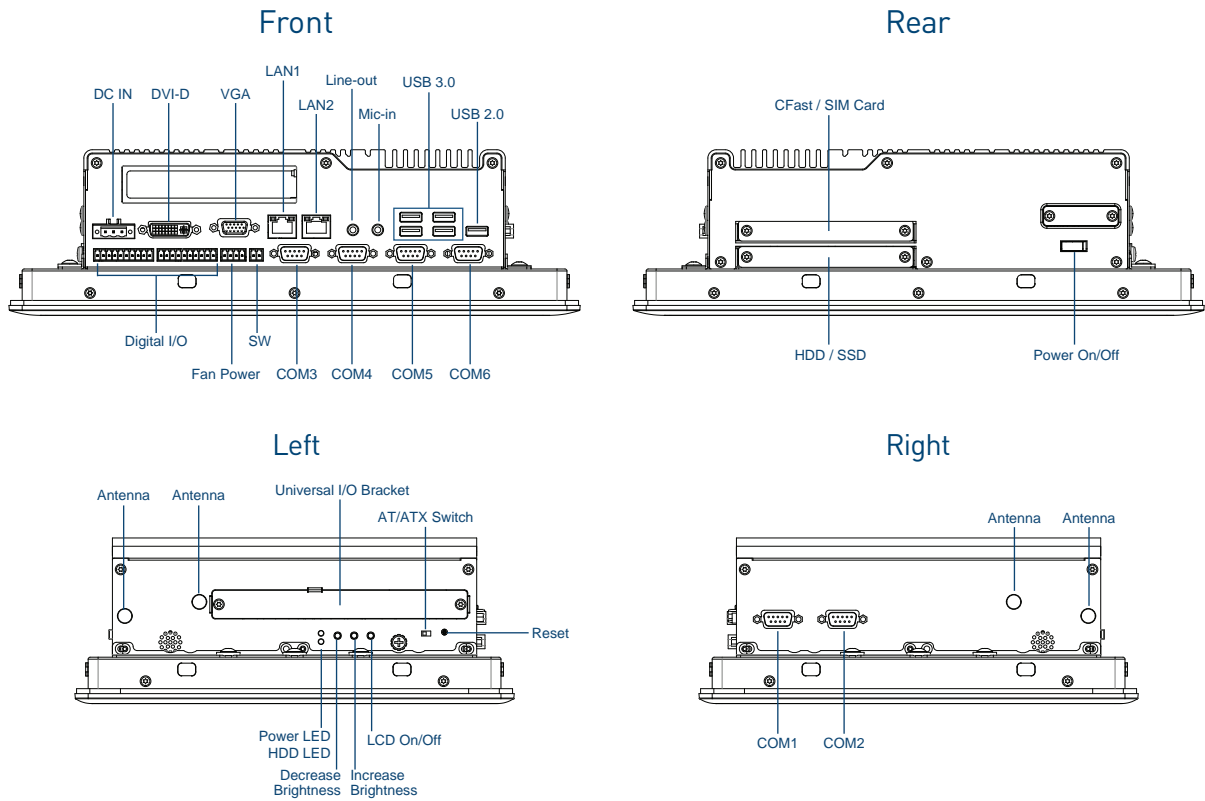
- Operating Temperature: 0°C to 60°C
  - (With extended temperature peripherals; Ambient with air flow According to IEC60068-2-1, IEC60068-2-2, IEC60068-2-14)
- Storage Temperature: -20°C to 60°C
- Relative Humidity: 80% RH @ 50°C (Non-condensing)
- IP Level: IP65 Compliant Front Panel
- EMC: CE, FCC Class A

»» External Layout

CV-W115/P2002



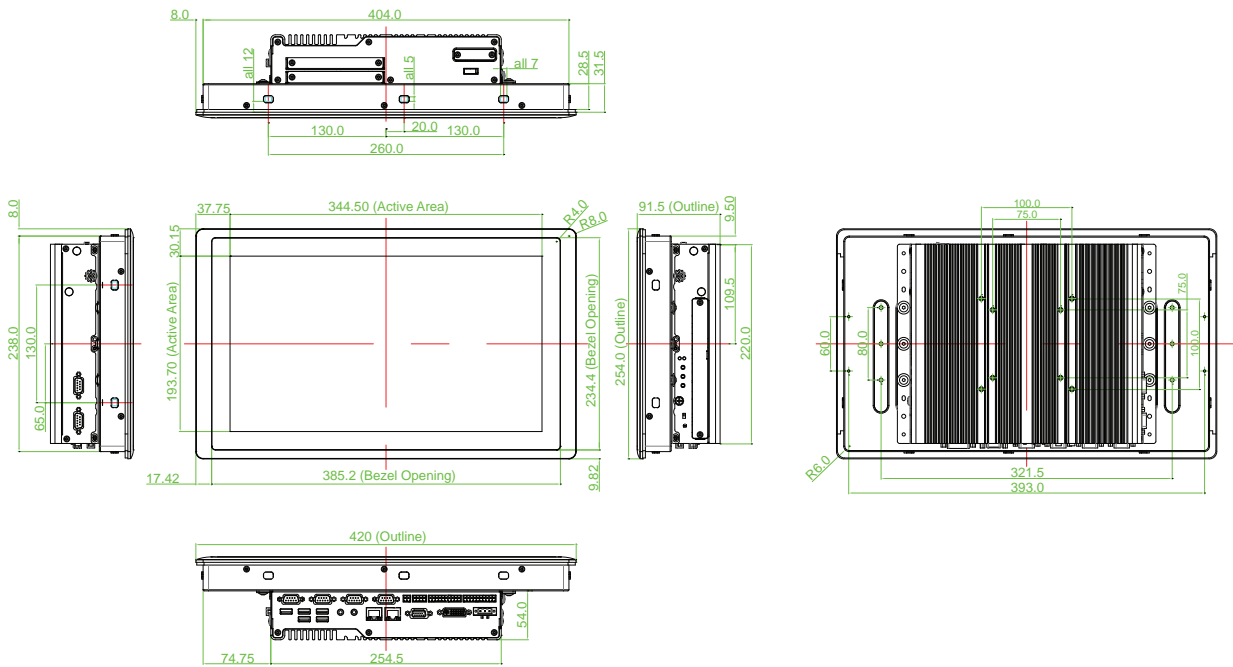
CV-W115/P2002E



»» Dimensions

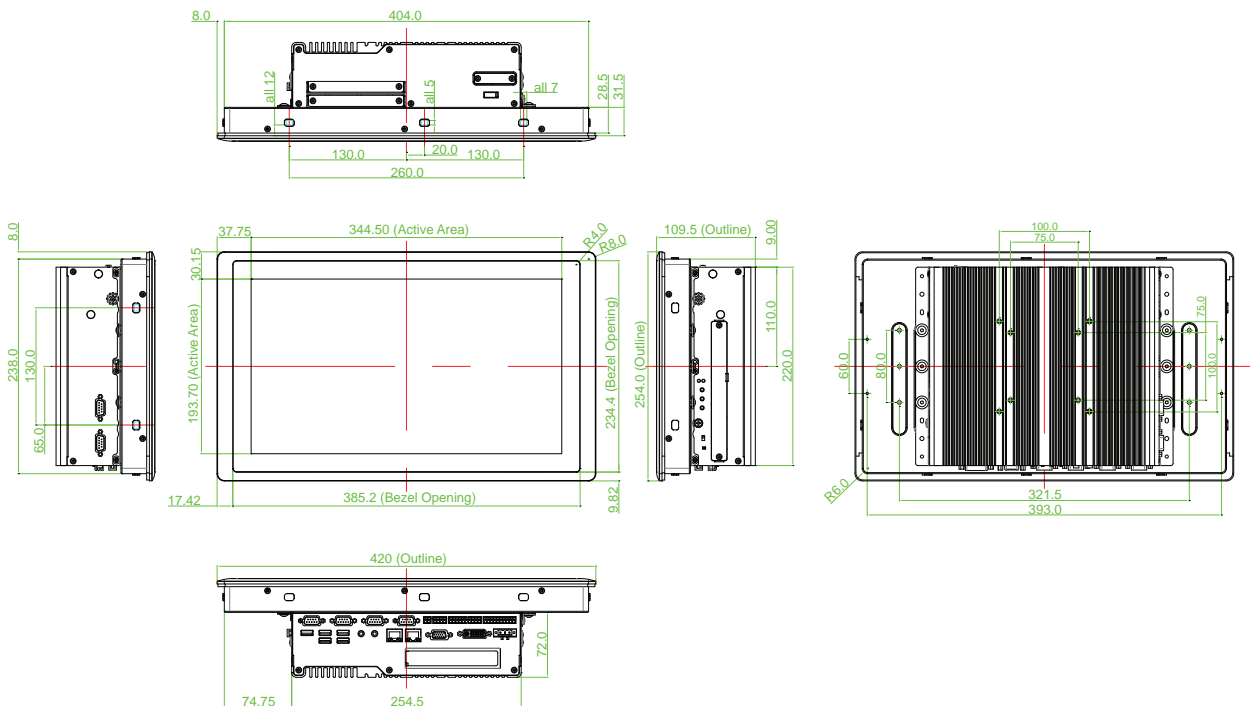
CV-W115/P2002

Unit: mm



CV-W115/P2002E

Unit: mm



## Ordering Information

### Available Models

Model No.	Product Description
CV-W115R-R10/P2002-i5-R10	15.6" TFT WXGA 16:9 Panel PC with Resistive 5-wire Touch and Intel 6th Gen. Core i5-6300U Fanless Computer, CFM Interface, CDS Interface
CV-W115R-R10/P2002E-i5-R10	15.6" TFT WXGA 16:9 Panel PC with Resistive 5-wire Touch and Intel 6th Gen. Core i5-6300U Expandable Fanless Computer, CFM Interface, CDS Interface
CV-W115R-R10/P2002E-i5-E4-R10	15.6" TFT WXGA 16:9 Panel PC with Resistive 5-wire Touch and Intel 6th Gen. Core i5-6300U Expandable Fanless Computer, CFM Interface, CDS Interface, 1x PCIe4 Expansion
CV-W115R-R10/P2002E-i5-PI-R10	15.6" TFT WXGA 16:9 Panel PC with Resistive 5-wire Touch and Intel 6th Gen. Core i5-6300U Expandable Fanless Computer, CFM Interface, 1x PCI Expansion
CV-W115C-R10/P2002-i5-R10	15.6" TFT WXGA 16:9 Panel PC with Projected Capacitive Touch and Intel 6th Gen. Core i5-6300U Fanless Computer, CFM Interface, CDS Interface
CV-W115C-R10/P2002E-i5-R10	15.6" TFT WXGA 16:9 Panel PC with Projected Capacitive Touch and Intel 6th Gen. Core i5-6300U Expandable Fanless Computer, CFM Interface, CDS Interface
CV-W115C-R10/P2002E-i5-E4-R10	15.6" TFT WXGA 16:9 Panel PC with Projected Capacitive Touch and Intel 6th Gen. Core i5-6300U Expandable Fanless Computer, CFM Interface, CDS Interface, 1x PCIe4 Expansion
CV-W115C-R10/P2002E-i5-PI-R10	15.6" TFT WXGA 16:9 Panel PC with Projected Capacitive Touch and Intel 6th Gen. Core i5-6300U Expandable Fanless Computer, CFM Interface, CDS Interface, 1x PCI Expansion

### Optional Modules

Model No.	Description
CFM-IGN100-R10	Power Ignition Sensing Control Function Module
CFM-PoE100-R10	PoE Control Function Module, individual port 25.5W (50 x 44 x 15 mm) <i>(For CV-W115/P2002 only)</i>
CFM-PoE101-R10	PoE Control Function Module, individual port 25.5W (50 x 44 x 33 mm) <i>(For CV-W115/P2002E only)</i>
MEC-COM-M212-05	Mini-PCIe module with 2x RS-232 Serial Ports, 1x Universal bracket (154 x 17 x 11 mm)
MEC-COM-M334-05	Mini-PCIe module with 4x RS-232/422/485 Serial Ports, 1x Universal bracket (154 x 17 x 11 mm)
MEC-FIR-M003-05	Mini-PCIe module with 1x 1394A Port, 2x 1394B Ports, 1x Universal bracket (154 x 17 x 11 mm)
MEC-LAN-M002-R1-05	Mini-PCIe module with 2x LAN Ports, 1x Universal bracket (154 x 17 x 11 mm)
MEC-USB-M002-05	Mini-PCIe module with 2x USB 3.0 Ports, 1x Universal bracket (154 x 17 x 11 mm)
RC-E4-100-R10	Riser Card 1 x PCIe4
RC-PI-100-R10	Riser Card 1 x PCI

### Optional Accessories

Model No.	Description
GSM60A12-CIN1	Adapter AC/DC 12V 5A 60W with 3pin Terminal Block Plug 5.0mm Pitch
GS120A24-CIN1	Adapter AC/DC 24V 5A 120W with 3pin Terminal Block Plug 5.0mm Pitch
SL2-SL3	US 2 heads power cord, US B type to IEC C13, SVT 18AWG/3C Black 1.8M
SL6-SL3	EU 2 heads power cord, EU G type to IEC C13, H05VV-F 0.75mm2/3G Black 1.8M
QP026-SL3	UK 2 heads power cord, UK I type to IEC C13, H05VV-F 0.75mm2/3G Black 1.8M

### Package Checklist

• Panel PC x 1	• Fan Terminal Block Connector x 1	• Screw Pack x 1
• Utility DVD Driver x 1	• DIO Terminal Block Connector x 2	• Panel Mounting Kit x 1
• Power Terminal Block Connector x 1	• Power On/Off Terminal Block Connector x 1	