



## Features

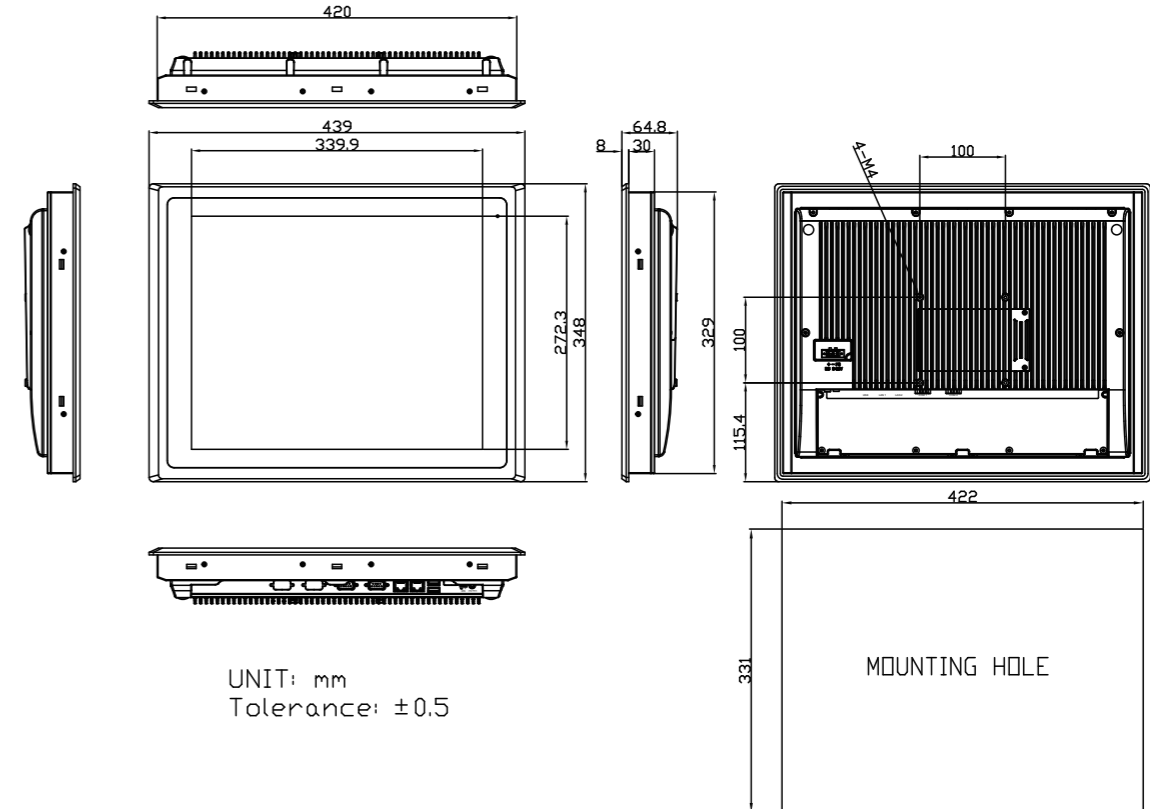
- 17" Industrial Compact Size Panel PC
- Flat front panel touch screen
- Fanless design
- Intel Celeron N2930(1.83GHz) CPU built-in/Atom E3845(1.91GHz ) for option
- Onboard 4GB DDR3L 1600 MHz/8GB(option)
- DC 9~36V wide-ranging power input
- IP65 compliant front panel
- Optional projected capacitive touchscreen support 7H anti-scratch surface



## Specifications

System	
CPU	Onboard Intel Celeron N2930(1.83GHz) Processor/ Atom E3845(1.91GHz ) for option
System Chipset	SoC
Memory	Onboard 4GB DDR3L 1600 MHz/8GB(option)
IO Port	
USB	2 x USB 3.0 type A
Serial/Parallel	1 x RS-232 DB-9(COM2) 1 x DB-9 RS-232/422/485 (Default RS-232)(COM1)
Audio	1 x Audio Line Out
LAN	2 x GbE LAN RJ-45
Power	1 x 3-pin DC Power input terminal 1 x 2-pin connector for power on/off button
Option	2 x RS-232 DB-9 + 1 x Mini-PCIe slot via TB-528C2ME1 2 x CAN bus via TB-528CAN2 2 x USB 2.0 type A + 1 x Mini-PCIe slot + 1 x RS-232 DB-9 + 1 x Power button via TB-528C1U2P1 2 x USB 2.0 type A Via TB-528U2 UPS Battery 21Wh/10.8V/1.95Ah(3S1P)
Storage Space	
HDD	1 x 2.5" SATA HDD bay for SATA HDD (Easy Accessible)
movable device	1 x SD card slot, up to 32GB
Expansion	
Expansion	1 x Internal Mini-PCIe slot full size
Display	
Display Type	17" TFT-LCD
Max. Resolution	1280x1024
Max. Color	16.2M
Luminance (cd/m <sup>2</sup> )	350
Viewing Angle (Degree)	170/160
Contrast Ratio	1000:1
Backlight Lifetime	30,000 hrs
Touch screen-Resistive Touch Window Type	
Interface	USB
Light Transmission(%)	80%
Touch screen-Projected Capacitive Type	
Interface	USB
Light Transmission(%)	90%

## Dimensions



Power	
Power Input	9~36V DC
Power Consumption	MAX: 22.1W (817) / MAX: 25W (817P)

Mechanical	
Chassis Color	RAL9007
Front Bezel Metal	Aluminum / Panel Mounting
Rear Panel Metal	Aluminum / VESA 100 x 100
IP Rating	IP65 Compliant Front Panel
Dimensions (WxHxD)	439mm x 348mm x 64.8mm
Net Weight	5.1 Kg

Environmental	
Operating Temperature	0~50°C
Storage Temperature	-20~60°C
Storage Humidity	10 to 90% @ 40°C, non-condensing
Certificate	CE / FCC Class A / UL

Operating System Support	
Windows Embedded Compact 7, Windows Embedded Standard 7, Windows 7 Pro(FES), Windows 7 Ultimate(FES), Windows Embedded 8 Standard, Windows Embedded 8.1 Industry Pro, Windows 10 IoT Enterprise 2015LTSP	

Ordering Information	
ARCHMI-817-01	17" SXGA Fanless HMI barebone with Intel N2930 1.83GHz CPU, 2GB DDR3 RAM, Resistive touch screen, 9~36V DC input with adapter, Aluminum chassis
ARCHMI-817P-01	17" SXGA Fanless HMI barebone with Intel N2930 1.83GHz CPU, 2GB DDR3 RAM, Projected Capacitive touch screen, 9~36V DC input with adapter, Aluminum chassis