

Features



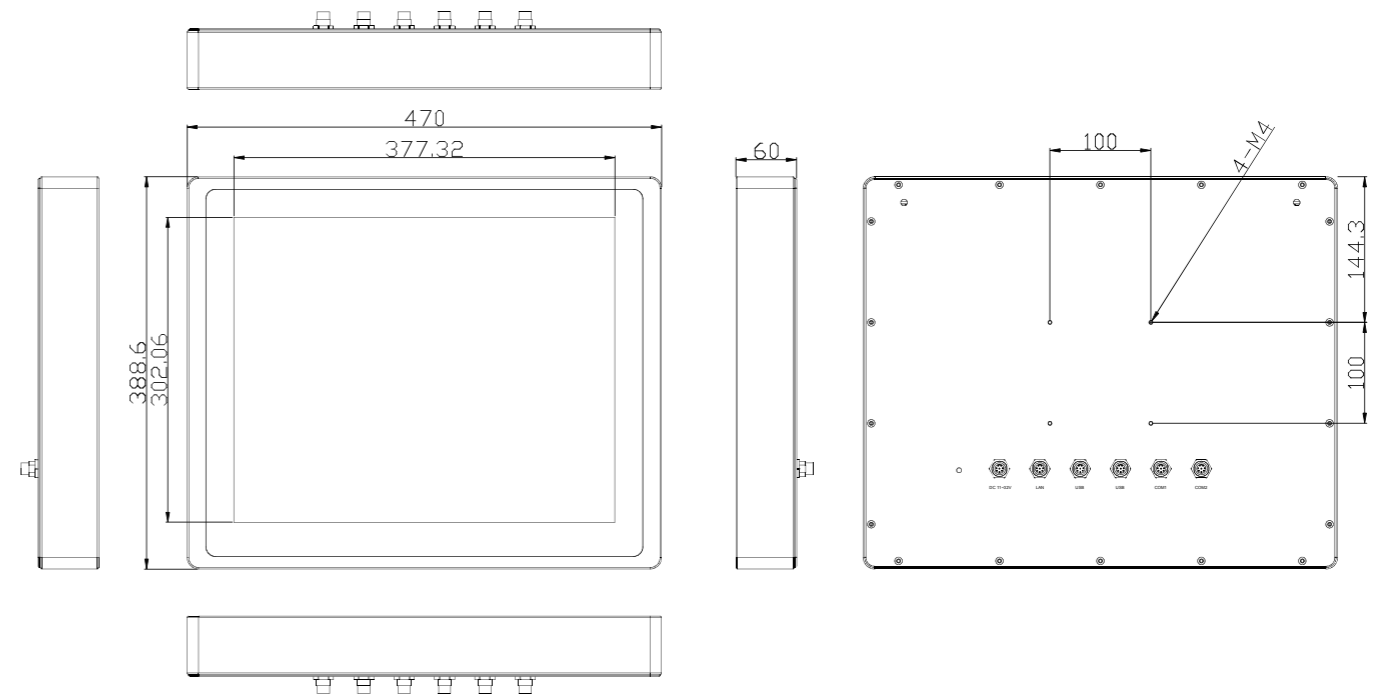
- Fanless and Low Power Consumption Stainless Steel Panel PC
- Intel® Atom™ Processor D2550(1M Cache, 1.8GHz)
- Onboard 4GB DDR3 for 17"/19"
- 11~32V DC wide-ranging power input
- M12 I/O Connector
- Full Flat bezel Design, Total 6 sides IP65/ IP69K
- Projective capacitive touch/ Resistive Type



Specifications

System	
Processor	Intel Atom Processor D2550 (1M Cache, 1.8 GHz)
System Chipset	Intel NM10 Express
System Memory	Onboard DDR3 4GB
IO Port	
USB	1 x M12 8pin for 2 x USB 1 x M12 8pin for 2 x USB
Serial/Parallel	1 x M12 8pin for COM 1/RS-232/422/485 (Default RS-232) 1 x M12 8pin for COM 2/RS-232
Audio	None
Graph	None
LAN	1 x M12 8pin for LAN 1
Digital I/O	None
Power	1 x M12 3pin DC power connector
Storage Space	
HDD	1 x 2.5" SATA HDD or SSD
Movable device	1 x Internal SD Card slot on board
Expansion	
On board expansion bus	1 x Mini PCIe half size slot
Expansion slot	None
Display	
Display Type	19" TFT-LCD
Max. Resolution	1280 x 1024
Max. Color	16.7M
Luminance (cd/m ²)	350
View Angle	H: 170/V: 165
Contrast Ratio	1000: 1
Backlight Lifetime	50,000 hrs
Touch screen – Projected Capacitive Touch Screen	
Interface	USB
Light transmission (%)	Over 90%

Dimensions



Power	
Power input	11~32V DC
Power Consumption	Max:32W
Mechanical	
Construction	Satinless steel
IP Rating	Total IP65 6 sides / IP69K
Mounting	VESA 100 x 100
Dimension	470 x 388.6 x 60 mm
Net Weight	9.6 Kgs
Environmental	
Operating temperature(°C)	0°C~50°C(with HDD) -20°C~60°C(with Industrial SSD or CF)
Storage temperature(°C)	-30°C~70°C
Storage humidity	10 to 90% @ 40°C, non- condensing
Certification	CE/FCC class A
Operating System Support	
WES7 32-bit, W7PES	
Ordering Information	
APC-3993P-04	19" SXGA IP65/IP69K full flat bezel design stainless steel panel PC, Intel ATOM D2550 1.8G processor, DDR3 4G on board, 2.5" SATA 2 320GB Industrial HDD, with projective capacitive touch, 11~32V DC power input with Adaptor, stainless steel enclosure