

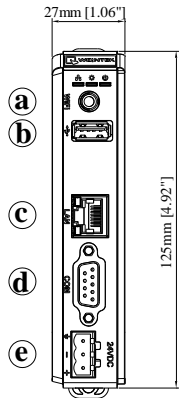


Feature

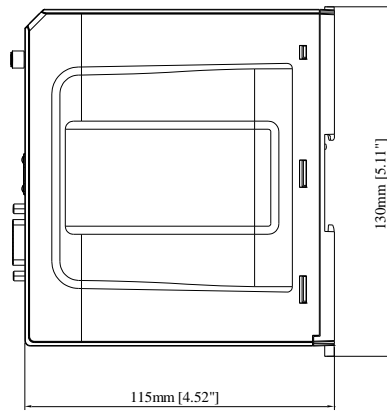
- Supports Display on cMT Viewer clients
- Compact Design and DIN-rail Mountable
- Fan-less Cooling System
- Built-in 256 MB Flash Memory
- SD Card Slot for Expansion of Storage
- One USB Host Port
- One Gigabit Ethernet Ports
- Supports E-mail
- Supports MPI 187.5K
- Built-in Power Isolator
- WiFi compatible with 802.11 b/g/n
- cMT-SVR-202: Built-in EasyAccess 2.0 License
- Wide input voltage range: 10.5~28VDC

| | | |
|----------------------|-----------------------|---|
| Memory | Flash | 256 MB |
| | RAM | 256 MB |
| Processor | | 32-bit RISC 600MHz |
| I/O Port | SD Card Slot | SD/SDHC |
| | USB Host | USB 2.0 x 1 |
| | USB Client | N/A |
| | Ethernet | 10/100/1000 Base-T x 1 |
| | WiFi | IEEE 802.11 b/g/n 802.11b: max 18.01 dBm 802.11g: max 11.02 dBm 802.11n: max 12.20 dBm |
| | COM Port | COM1: RS-232 2W COM2: RS-485 2W/4W COM3: RS-485 2W |
| RTC | | Built-in |
| Power | Input Power | 10.5~28VDC |
| | Power Isolation | Built In |
| | Power Consumption | 1000mA@12VDC ; 450mA@24VDC |
| | Voltage Resistance | 500VAC (1 min) |
| | Isolation Resistance | Exceed 50MΩ at 500VDC |
| | Vibration Endurance | 10 to 25Hz (X, Y, Z direction 2G 30 minutes) |
| Specification | PCB Coating | Yes |
| | Enclosure | Plastic |
| | Dimensions WxHxD | 27 x 130 x 115 mm |
| | Weight | Approx. 0.18 kg |
| | Mount | 35 mm DIN rail mounting |
| Environment | Protection Structure | IP20 |
| | Storage Temperature | -20° ~ 70°C (-4° ~ 158°F) |
| | Operating Temperature | -10° ~ 55°C (14° ~ 131°F) |
| | Relative Humidity | 10% ~ 90% (non-condensing) |
| Certificate | CE | CE marked |
| | UL | cULus Listed |
| Software | EasyBuilder Pro | V6.02.02 or later versions |
| | Weincloud | cMT-SVR-200: EasyAccess 2.0 (Optional) cMT-SVR-202: EasyAccess 2.0 (Built-in) |

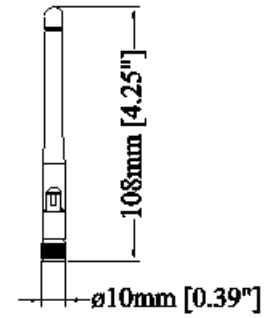
Dimensions



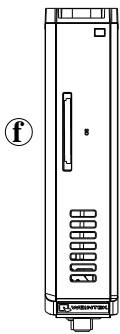
Front View



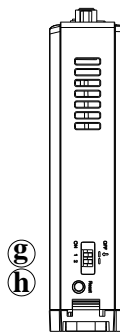
Side View



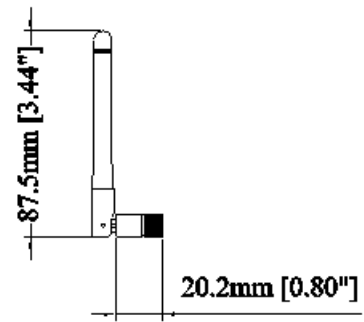
Antenna



Top View



Bottom View



Pin Assignment:
COM1 RS232 2W
COM2 RS485 2W/4W
COM3 RS485 2W
9 Pin, Male, D-sub

| PIN# | COM1 [RS-232] 2W | COM2 [RS-485] | | COM3 [RS-485] 2W |
|------|------------------------|------------------|-----|------------------------|
| | | 2W | 4W | |
| 1 | | | | Data+ |
| 2 | RxD | | | |
| 3 | TxD | | | |
| 4 | | | | Data- |
| 5 | GND | | | |
| 6 | | Data+ | Rx+ | |
| 7 | | Data- | Rx- | |
| 8 | | | Tx+ | |
| 9 | | | Tx- | |

| | |
|-----------|--|
| a. | WiFi |
| b. | USB Host Port |
| c. | Ethernet Port |
| d. | COM1: RS-232 2W, COM2: RS-485 2W/4W, COM3: RS-485 2W |
| e. | Power Connector |
| f. | SD Card Slot |
| g. | DIP Switch |
| h. | Reset Button |

Ordering Information

| | |
|--|--|
| <input type="checkbox"/> cMT-SVR-200: | <input type="checkbox"/> cMT-SVR-202: |
| 256 MB flash memory | 256 MB flash memory |
| 256 MB RAM on board | 256 MB RAM on board |
| 10/100/1000M Ethernet port x 1 | 10/100/1000M Ethernet port x 1 |
| Antenna 2dBi, RP-SMA Plug connector | Antenna 2dBi, RP-SMA Plug connector |
| Optional: RZACEA020 EasyAccess 2.0 Activation Card | Built-in EasyAccess 2.0 license |