

1 Installation and Startup Guide

This document covers the installation of MT8102iE/iEU/MT8103iE Series HMI, for the detailed specifications and operation, please refer to Datasheet, Brochure and EasyBuilder Pro User Manual. Please read all warnings, precautions, and instructions on the device carefully before use.

Install Environment:

NEMA Rating	The HMI product is NEMA 4 rated (Indoor Only).
Electrical Environment	The HMI product has been tested to conform to European CE requirements. This means that the circuitry is designed to resist the effects of electrical noise. This does not guarantee noise immunity in severe cases. Proper wire routing and grounding will insure proper operation.
Environmental Considerations	<ol style="list-style-type: none"> (1) Make sure that the displays are installed correctly and that the operating limits are followed. Avoid installing units in environments where severe mechanical vibration or shocks are present. (2) Do not operate the unit in areas subject to explosion hazards due to flammable gases, vapors or dusts. (3) Do not install the unit where acid gas, such as SO₂ exists. (4) This device should be mounted in the vertical position and for use on the flat surface enclosure. (5) Conform to UL 61010-2-201 safety requirement for use in Pollution Degree 2 Environment. (6) Relative Humidity: 10% ~ 90% (non-condensing)
Cleaning Considerations	Disconnect this device from AC outlet before cleaning. Clean the device using cloths wetted with clean water. Do not use liquid or spray detergents for cleaning.

2 Unpacking the Unit

Unpack and check the delivery. If damage is found, please contact the supplier.

NOTE: Place the operator panel on a stable surface during installation. Dropping it or letting it fall may cause damage.

The package includes:

- (1) Installation Instruction, 2-sided A4 *1
- (2) Human Machine Interface *1
- (3) Power Connector *1
- (4) Brackets & Screws *1 pack
- (5) Fuse 1.25A/250V 5*20mm *1
- (6) USB Stick Clamp & Tying Strap *1

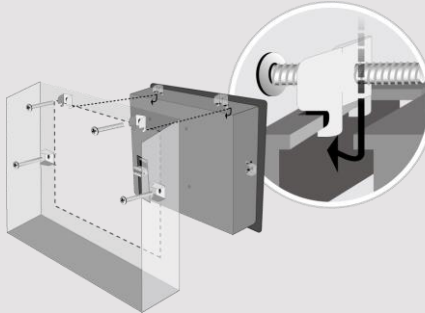
3 Installation Instructions

Use a control box that provides enough stiffness. Cutout Dimension: 260 mm x 202 mm. Secure the operator panel in position, using all the fastening holes and the provided brackets and screws. Screw Torque: 2.6 ~ 3.9 lbf.in. (For reaching waterproof effect and preventing the panel from being deformed.)

Plan for adequate space around the unit and inside the enclosure, for ventilation and cables. Consider the heat from other devices inside the enclosure. The ambient temperature around the unit must be 0 ~ 50°C

Minimum required clearances (along the overlay): Top 15 mm / Bottom 50 mm / Sides 15 mm

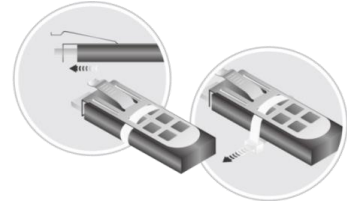
Maximum panel thickness: 4.5 mm



USB Stick Clamp Usage

Combining the USB Stick with the clamp and HMI when strong vibration is present.

1. Insert the USB connector to the clamp.
2. Press the spring and insert the USB stick.



4 Power Connections

Power Connector Specifications:

Wire AWG: 28~12

Operating Temperature: -40°C ~105°C

Screw Torque: 3.47 lbf-in (max.)

NOTE:

1. Connect positive DC line to the 'V+' terminal.
2. When downloading project using EasyBuilder Pro, do not connect the power simultaneously, for electric potential difference.

5 System Settings

MT8102iE/iEU

When HMI is powered up and displays the main screen, tap the gear icon (Default System Password: 111111)

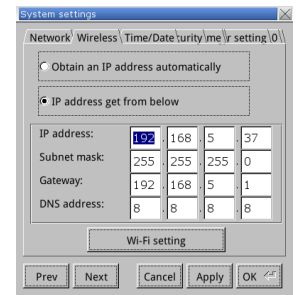
Note: It is necessary to connect the power supply before setting.

Go to the Network tab, you may choose the network type.



MT8103iE

The settings are almost the same as MT8102iE/iEU. On the Network tab, tap the Wi-Fi setting button to choose a network, and see the signal strength.



6 EasyBuilder Pro Software Settings

Launch EasyBuilder Pro software, select your project file, press F7 shortcut key to open the download dialog box: Select Ethernet > IP tab > Enter your HMI IP > Click Download to download this project file to HMI. Using screensaver and backlight saver is recommended in order to avoid image persistence caused by displaying the same image on HMI for a long time.

(Please refer to EasyBuilder Pro User Manual for software operation details.)

7 Communication Connections

NOTE:

1. COM1 / COM2 / COM3 RS485 2W support MPI 187.5K, please use one at a time.
2. Only Tx & Rx (no RTS/CTS) may be used for COM1 RS232 when COM3 RS232 is also used.
3. COM3 RS485 4W will not be available when COM1 RS485 2W is used.

1 2 3 4 5
6 7 8 9 **Con.B**

COM1/COM3 [RS232] 9 Pin, Male, D-sub

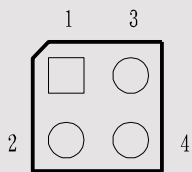
PIN#	COM1 [RS232]	COM3 [RS232]
1		
2	RxD	
3	TxD	
4		
5	GND	
6		
7	RTS	TxD
8	CTS	RxD
9	GND	

5 4 3 2 1
9 8 7 6 **Con.A**

COM1 / COM2 / COM3 [RS485] 9 Pin, Female, D-sub

PIN#	COM1 [RS485] 2W	COM2 [RS485] 2W	COM2 [RS485] 4W	COM3 [RS485] 2W	COM3 [RS485] 4W
1		Data-	Rx-		
2		Data+	Rx+		
3			Tx-		
4			Tx+		
5	GND				
6				Data-	Rx-
7	Data-				Tx-
8	Data+				Tx+
9				Data+	Rx+

8 Jumper Settings



1-2	3-4	Mode
Short	Open	Touch Screen Calibration Mode
Open	Short	Boot Loader Mode

Please prepare a jumper cap for setting the jumpers.

Another way to enter touch screen calibration mode is: Press and hold anywhere on the screen for more than 2 seconds when HMI starts.

9 Battery Replacement

Battery replacement shall be performed by qualified personnel only and care must be taken when handling lithium batteries. For more information on battery replacement and disposal considerations, please refer to the following link:

http://www.weintek.com/download/MT8000/eng/FAQ/FAQ_103_Replace_Battery_en.pdf

CAUTION

Power

NOTE: Make s
installing the un

Use power output th
powered by DC po
systems. The power
supply. The peak sta

Fusing Require-
ments

Fuse min. rating: 1.2
within 5 seconds of p
of the DC power is in
Replacing fuse shall
<http://www.weintek.com>

High Voltage

An Internal fuse will
voltage sources sho

Emergency Stop

A Hard-wired EMER
ICS Safety Recomm

Supply Voltage
Condition

Do not power the un
power supply. Note:
power the unit.

Wire Routing

- a. Power wire lengt
 - b. Please use twist
 - c. If wiring is to be
 - d. Keep AC, high e
 - e. Add a resistor an
- supply and the fr
dissipation. Typi

DANGER

Hardware
Considerations

The system design
thereby create an
interface can lead
physical injury to the
If you use any prog
potential safety haza
steps depend on y
installation of solid-
installation of Contro

Programming
Considerations

To conform to ICS
ensure that all writ
checks built into the
personnel.

Limited Warranty

This product is limited warranted ag
The proven defective product will e
This warranty shall not cover any p

- (a) Out of warranty period which is 12 month
- (b) Damage caused by Force Majeure, accid
- (c) Product has been repaired or taken apar
- (d) Products whose identification markings h