



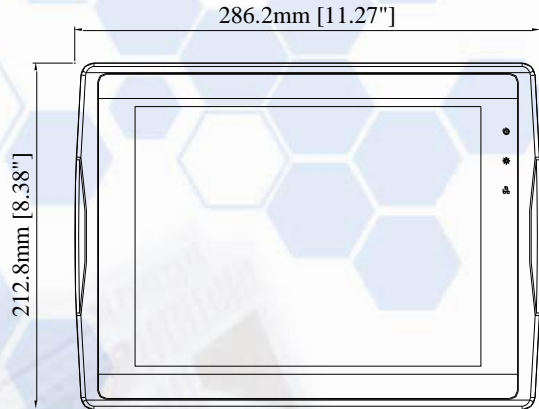
## 10.4" SVGA TFT Display HMI

### Features

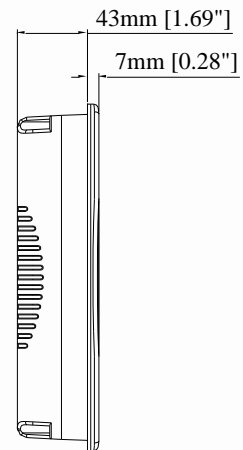
- 10.4" 800x600 TFT LCD
- Fan-less Cooling System
- Built-in 256MB Flash Memory and RTC
- IP65 Compliant Front Panel
- SD Card Slot Supports SD/SDHC Cards
- Power Isolator Inside
- CAN Bus Device Supported
- Com1 / Com3 RS485 & CAN Bus Built-in Isolation
- Support Windows CE 6.0

<b>Display</b>	Display	10.4" TFT
	Resolution	800 x 600
	Brightness (cd/m <sup>2</sup> )	400
	Contrast Ratio	400:1
	Backlight Type	LED
	Backlight Life Time	30,000 hr.
	Colors	262K
<b>Touch Panel</b>	Type	4-wire Resistive Type
	Accuracy	Active Area Length(X)±2%, Width(Y)±2%
<b>Memory</b>	Storage(MB)	256
	RAM (MB)	256
<b>Processor</b>		32Bit RISC CPU 800MHz
<b>I/O Port</b>	SD Card Slot	SD/SDHC
	USB Host	USB 2.0 x 1
	USB Client	USB 2.0 x 1
	Ethernet	10/100 Base-T
	COM Port	COM1 (RS-232/RS-485 2W/4W), COM3(RS-232/RS-485 2W), CAN Bus
	Audio	Audio Line Out - 3.5 mm jack x 1
<b>RTC</b>		Yes
<b>Power</b>	Input Power	24±20%VDC
	Power Consumption	800m A@24V
	Power Isolation	Built In
	Voltage Resistance	500VAC (1 min)
	Isolation Resistance	Exceed 50MΩ at 500VDC
	Vibration Endurance	10 to 25Hz(X,Y,Z direction 2G 30 minutes)
<b>Specification</b>	Enclosure	Plastic
	Dimensions WxHxD	286 x 212 x 50mm
	Panel Cutout (mm)	259 x 201
	Weight (kg)	Approx. 1.6 kg
<b>Environment</b>	Protection Structure	IP65 front panel (O ring seal)
	Storage Temperature	-20°~60°C (-4° ~ 140°F)
	Operating Temperature	0° ~ 50°C (32° ~ 122°F)
	Relative Humidity	10% ~ 90% RH (non-condensing)
<b>CE</b>		EN55022 : 2006+A1 : 2007 EN61000-3-2 : 2006+A2: 2009 EN61000-3-3 : 2008 EN55024 : 1998 + A1: 2001+A2 : 2003
<b>Software</b>		Windows CE 6.0

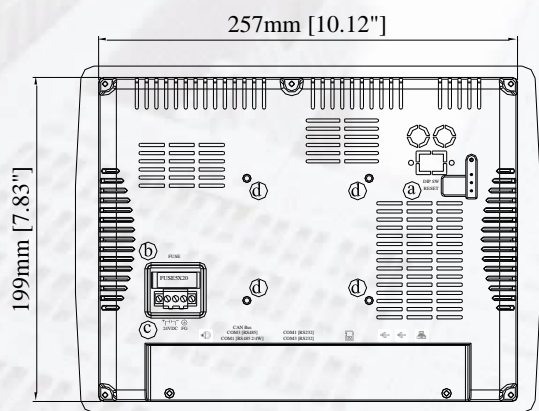
## Dimensions of eMT610P



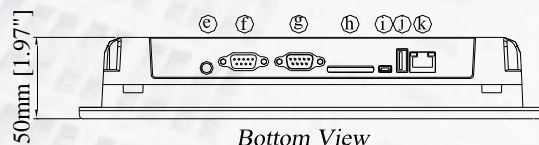
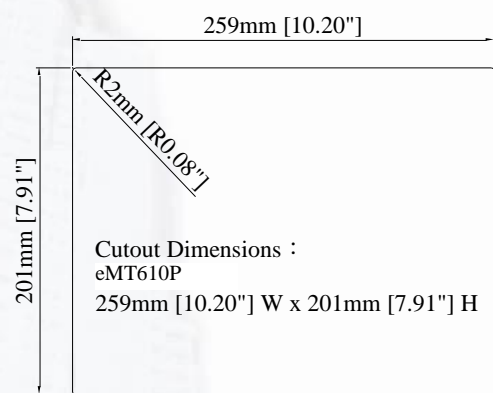
Front View



Side View



Rear View



Bottom View

a	DIP SW & Reset Button
b	Fuse
c	Power Connector
d	VESA 75mm Screw Holes
e	Line Out
f	Com1 RS485, Com3 RS485, CAN Bus
g	Com1 RS232, Com3 RS232
h	SD CARD SLOT
i	USB Client port
j	USB Host port
k	Ethernet Port

## Ordering Information

### □ eMT610P

10.4" TFT LCD HMI,  
256MB flash memory/256MB RAM on board

### □ FLZ485000

Multi-Connector cable Com1[485]/Com3[485]/CAN Bus

### □ FLZ232000

Multi-Connector cable Com1[232]/Com3[232]