



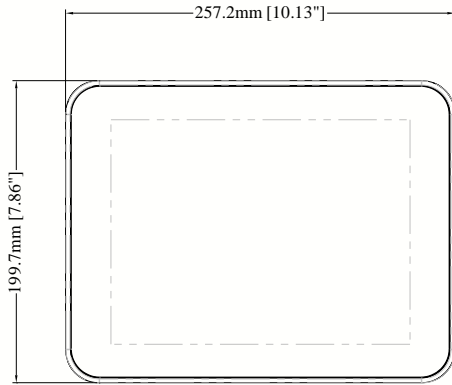
Cloud Human Machine Interface

Features

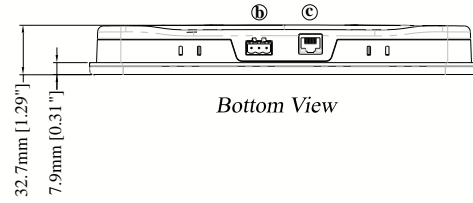
- One Gigabit Ethernet Port
- Built-in 512MB Flash Memory
- Fan-less Cooling System
- Power Isolator Inside
- Built-in mono speaker

Display	Model	cMT-iV5
	Display	9.7" TFT
	Resolution (WxH dots)	1024 x 768
	Brightness (cd/m ²)	350
	Contrast Ratio	500:1
	Backlight Type	LED
	Backlight Life Time	>30,000 hrs.
	Colors	262K
Touch Panel	Type	Tempered Glass, Capacitive Type
	Accuracy	Active Area Length(X)±2%, Width(Y)±2%
Memory	Storage	512 MB
	RAM	1 GB
Processor		32 bits RISC Cortex A9 1GHz
I/O Port	SD Card Slot	N/A
	USB Host	N/A
	USB Client	N/A
	Ethernet	10/100/1000M
	COM Port	N/A
	Audio Output	Built-in Mono Speaker
	Video Input	N/A
RTC		Built-in
Power	Input Power	24±20%VDC
	Power Consumption	900mA@24VDC
	Power Isolation	Built-in
	Voltage Resistance	500VAC (1 min)
	Isolation Resistance	Exceed 50MΩ at 500VDC
	Vibration Endurance	10 to 25Hz(X,Y,Z direction 2G 30 minutes)
Specification	Enclosure	Plastic
	Dimensions WxHxD	257.2 x 199.7 x 32.7mm
	Panel Cutout (mm)	248.5 x 191 mm
	Weight (kg)	Approx.0.76 kg
Environment	Protection Structure	NEMA4 / IP65 / UL508 Type 1 (Indoor)
	Storage Temperature	-20°~60°C (-4° ~ 140°F)
	Operating Temperature	0° ~ 50°C (32° ~ 122°F)
	Relative Humidity	10% ~ 90% @ 40°C (non-condensing)
	PCB Coating	Yes
Certificate	CE	CE marked
	UL	cULus Listed
Language	Display	English, French, Italian, Spanish, Russian, Simplified Chinese, Traditional Chinese, Korean, Deutsch
	Input Methods	English, French, Italian, Spanish, German, Russian, Pinyin, Zhuyin

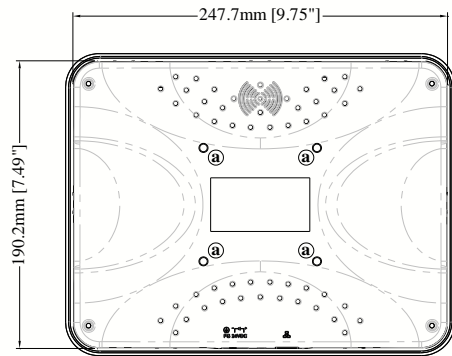
cMT-iV5 Dimensions



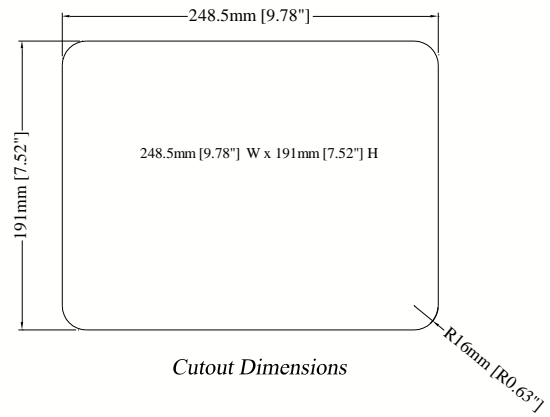
Front View



Bottom View



Rear View



Cutout Dimensions

a	VESA 75mm screw holes	c	Ethernet Port
b	Power Connector		

Ordering Information

cMT-iV5

Cloud Human Machine Interface
 512MB flash memory
 1GB RAM on board
 10/100/1000M Ethernet port x 1

cMT-SVRiV5

cMT-SVR & cMT-iV5 Bundle Package
 cMT-SVR x 1
 cMT-iV5 x 1
 Ethernet cable 2m x 1