



Feature

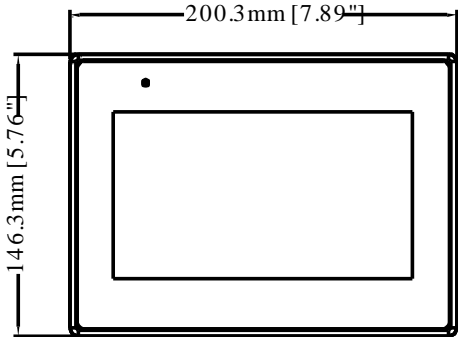
- 7" 800x480 TFT LCD, LED Backlight
- Fan-less Cooling System
- USB Client Port for downloading projects
- COM2 and COM3 [RS485] support MPI 187.5K, please use one at one time
- NEMA4/IP65 Compliant Front Panel
- Built-in Power Isolation

Display	Display	7" TFT LCD
	Resolution (WxH dots)	800 x 480
	Brightness (cd/m ²)	350
	Contrast Ratio	500:1
	Backlight Type	LED
	Backlight Life Time	>30,000 hrs.
	Colors	16M
Touch Panel	Type	4-wire Resistive Type
	Accuracy	Active Area Length(X)±2%, Width(Y)±2%
Memory	Flash	128 MB
	RAM	128 MB
Processor		32 bits RISC Cortex A8 600MHz
I/O Port	USB Host	USB 2.0 x 1
	USB Client	USB 2.0 x 1
	Ethernet	N/A
	COM Port	COM1: RS-232, COM2: RS-485 2w/4w, COM3: RS-485 2w
RTC		Built-in
Power	Input Power	24±20%VDC
	Power Isolation	Built-in
	Power Consumption	350mA@24VDC
	Voltage Resistance	500VAC (1 min.)
	Isolation Resistance	Exceed 50MΩ @ 500VDC
	Vibration Endurance	10 to 25Hz(X,Y,Z direction 2G 30 minutes)
Specification	Enclosure	Plastic
	Dimensions WxHxD	200.3 x 146.3 x 35mm
	Panel Cutout	192 x 138mm
	Weight	Approx.0.6 kg
Environment	Protection Structure	NEMA4 / IP65
	Storage Temperature	-10°~60°C (14° ~ 140°F)
	Operating Temperature	0° ~ 50°C (32° ~ 122°F)
	Relative Humidity	10% ~ 90% RH (non-condensing)
	PCB Coating	N/A
Certificate	CE	CE marked
Software		EasyBuilder Pro V4.10.04 or later versions

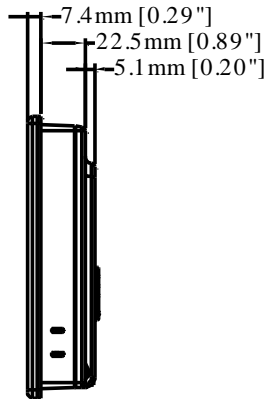
Dimensions



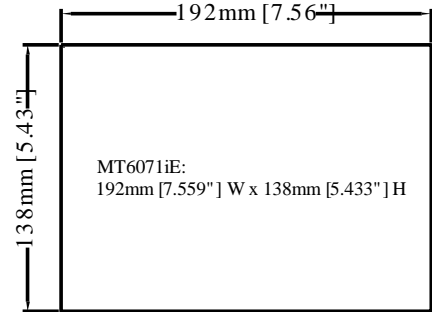
Top View



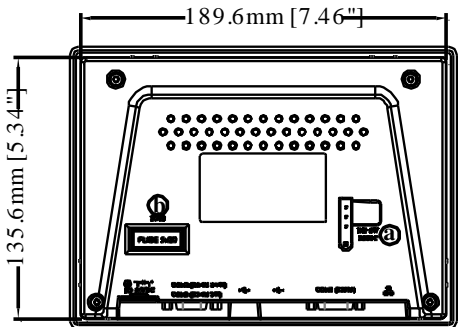
Front View



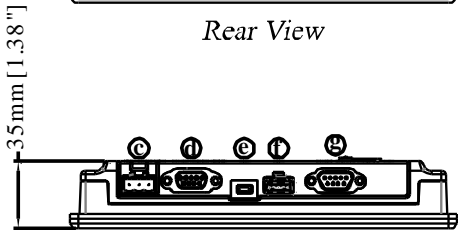
Side View



Cutout Dimensions



Rear View



Bottom View

a.	DIP SW
b.	Fuse
c.	Power Connector
d.	COM2 RS485 2W/4W, COM3 RS485 2W
e.	USB Client
f.	USB Host
g.	COM1 RS232

Ordering Information

- MT6071iE1:**
 7" 800x480 TFT LCD HMI, Built-in 128MB flash memory / 128MB DDR2 RAM on board

Pin Assignment:

COM1 [RS232] 9 Pin, Male, D-sub

PIN#	Symbol	COM1 [RS232]
1	Not used	
2	RxD	Received Data
3	TxD	Transmitted Data
4	Not used	
5	GND	Ground
6	Not used	
7	RTS	Ready to send output
8	CTS	Clear to send input
9	Not used	

COM2 / COM3 [RS485] 9 Pin, Female, D-sub

PIN#	Symbol	Com2 [RS485]2w	Com2 [RS485]4w	Com3 [RS485]
1	Rx-	Data-	Rx-	
2	Rx+	Data+	Rx+	
3	Tx-		Tx-	
4	Tx+		Tx+	
5	GND	Ground		
6	Data-			Data-
7	Not used			
8	Not used			
9	Data+			Data+