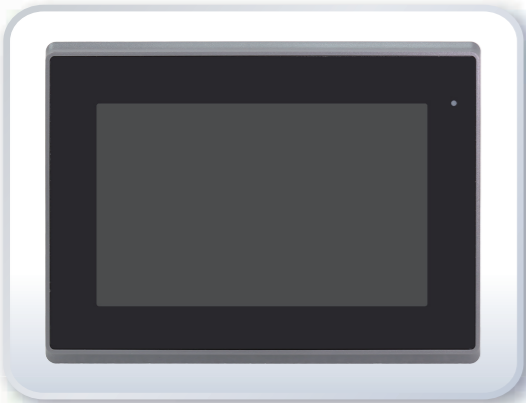


(Tentative)



### Features

- ARM Based HMI
- Fanless design
- Flat front panel touch screen
- Freescale i.MX6 DualLite/Quad (option) ARM Cortex A9 processor
- Onboard 1GB DDR3 DRAM
- Onboard 4GB eMMC Flash
- DC 9~36V wide-ranging power input
- LED backlight LCD
- Resistive touch window/Projected capacitive touch



### Specifications

System	
CPU	Freescale i.MX6 DualLite / Quad (Option) ARM Cortex A9 processor 1.0GHz
Memory	Onboard 1GB DDR3 DRAM
External IO Port	
USB	2 x USB 2.0 type A 1 x USB 2.0 OTG, Micro B Type
Serial/Parallel	1 x RS-232/422/485 DB-9, COM1
LAN	1 x LAN Port
Power	1 x 9~36V DC Power Input via 1 x 3-pin Terminal Block
Option	TB-549CAN1 WIFI/3G Module via Mini-PCle

Internal IO Port	
Internal IO Port	1 x SIM card slot 1 x Micro SD slot

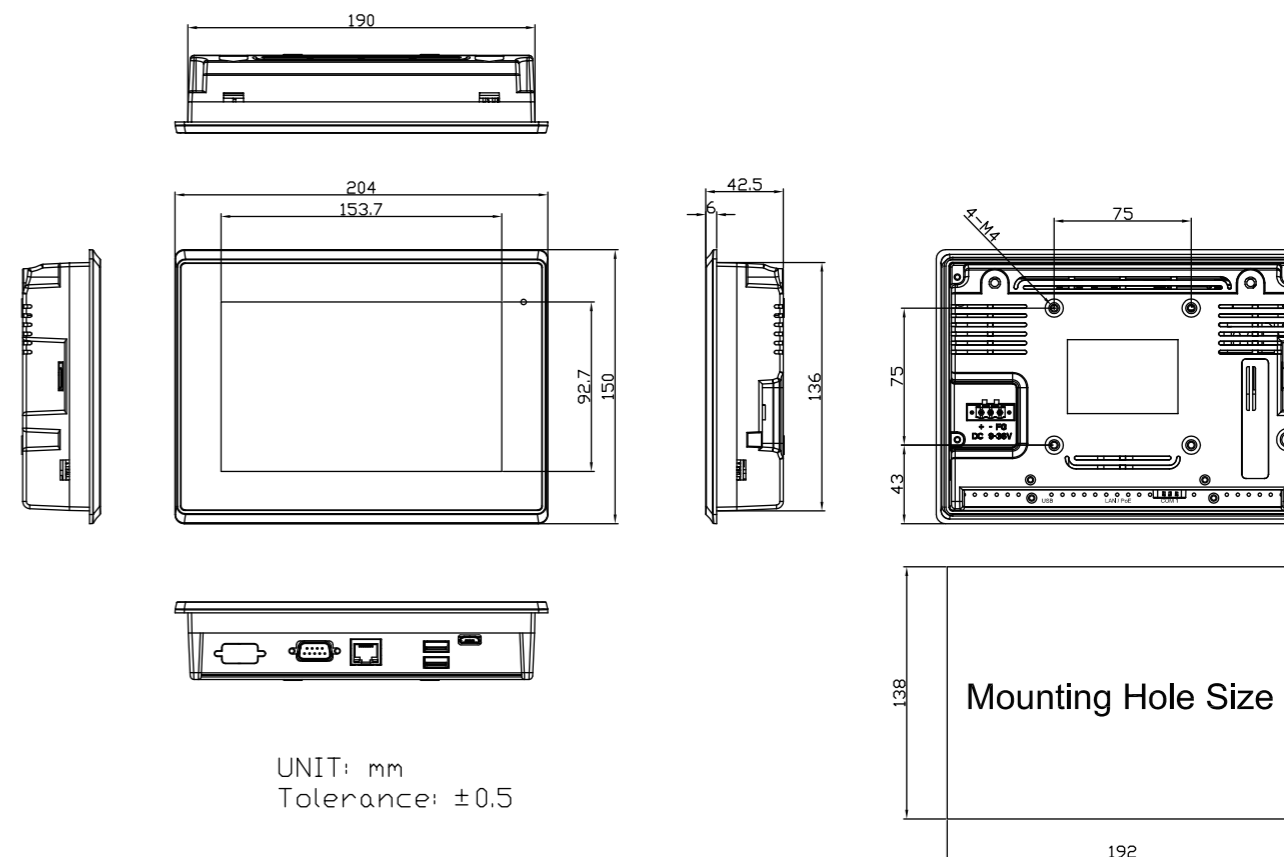
Storage Space	
Storage	Onboard 4GB eMMC NAND Flash

Expansion	
On board expansion bus	1 x Mini PCIe slot full size

Display	
Display Type	7" TFT-LCD
Max. Resolution	800 x 480
Max. Color	262K
Luminance (cd/m <sup>2</sup> )	350
Viewing Angle (H°/V°)	140 (H) / 110 (V)
Contrast Ratio	400: 1
Backlight Lifetime	40,000 hrs

Touch screen- Resistive Touch Window Type	
Interface	SPI
Light Transmission(%)	Over 80%

### Dimensions



Touch screen-Projected Capacitive Touch Type	
Interface	USB
Light Transmission(%)	Over 90%

Power	
Power Input	9~36V DC

Mechanical	
Front Bezel	Plastic / Panel Mount
Rear Bezel	Plastic / VESA 75 x 75
Chassis Color	Pantone Cool Gray 11C
IP Rating	IP65 Front Panel
Dimensions	204 x 150 x 42.5 mm

Environmental	
Operating Temperature	0~50°C
Storage Temperature	-20~60°C
Storage Humidity	10 to 90% @ 40°C, non-condensing
Certificate	CE / FCC Class A

Operating System Support	
Android 4.2.2	