



Features

- ARM Based HMI
- Fanless design
- Flat front panel touch screen
- TI- AM3354, ARM® Cortex™ A8 processor
- Onboard 512MB up to 1GB DDR3 DRAM
- Onboard 512MB up to 1GB NAND Flash
- DC 9~36V wide-ranging power input
- LED backlight LCD
- Resistive touch window/Projected capacitive touch

Specifications

| System | |
|---------------|---------------------------------------|
| CPU | TI-AM3354, ARM® Cortex® A8 up to 1GHz |
| Main Board | SBC-7109 |
| System Memory | Onboard 512MB up to 1GB DDR3 DRAM |

| External IO Port | |
|------------------|---|
| USB | 2 x USB 2.0 (type A) |
| Serial/Parallel | 1 x RS-232/RS-422/RS-485 (COM1), DB-9 connector, Default RS-232 1 x RS-232/RS-422/RS-485 (COM2), DB-9 connector, Default RS-232 (optional) |
| Audio | 1 x Line out audio jack |
| LAN | 1 x LAN Port support POE(PD)(Module for optional)(24W) |
| Power | 1 x 9~36V DC Power input via 1 x 3 pin Terminal Block 1 x 2-pin power switch |
| Option | TB-549CAN1 WIFI via Mini-PCle 3G Module via Mini-PCle |

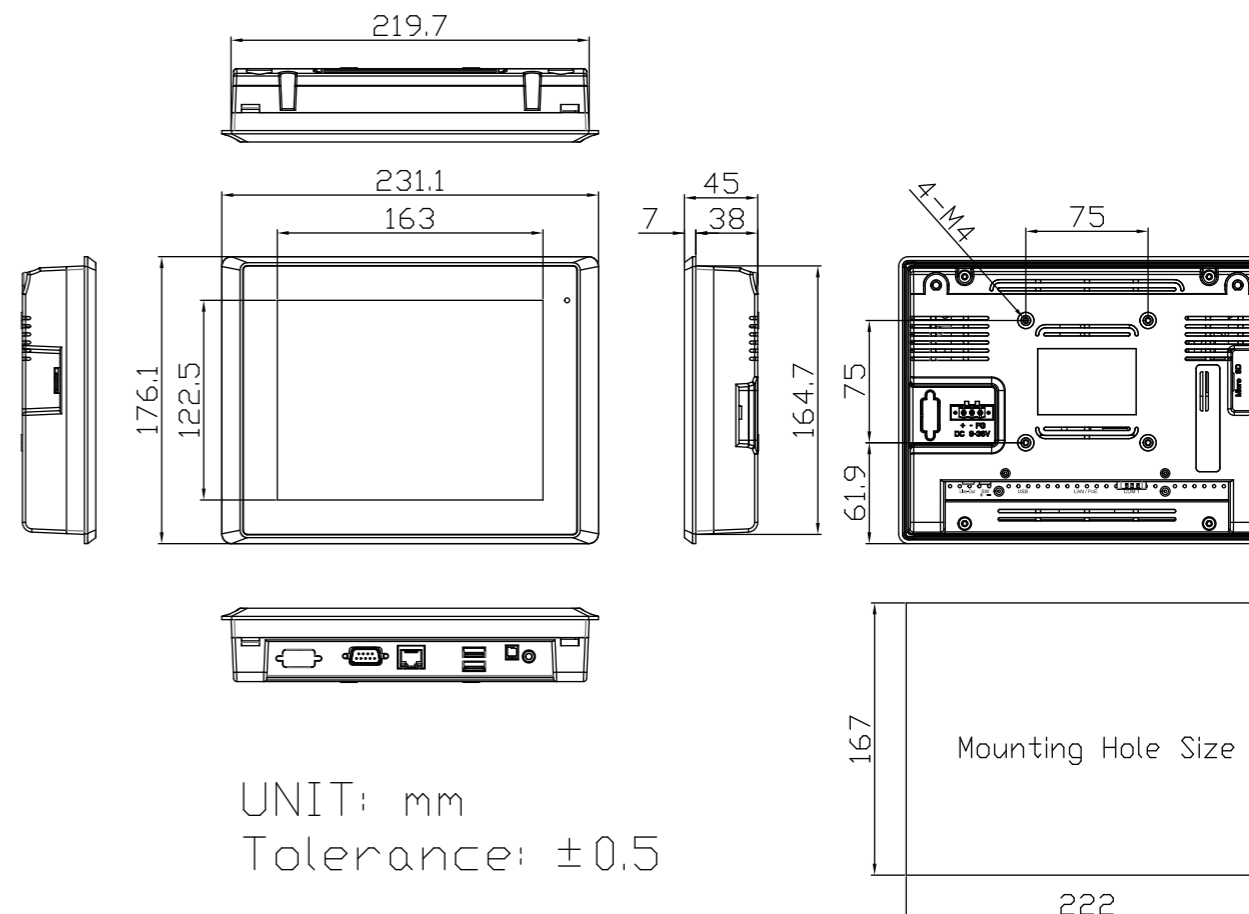
| Internal IO Port | |
|------------------|--|
| Internal IO Port | 1 x SIM card slot 1 x Micro SD slot |

| Storage Space | |
|---------------|------------------------------------|
| Storage | Onboard 512MB up to 1GB NAND Flash |

| Expansion | |
|------------------------|--------------------------------|
| On board expansion bus | 1 x Mini PCIe slot (full size) |

| Display | |
|--------------------------------|-------------------|
| Display Type | 8" TFT-LCD |
| Max. Resolution | 800 x 600 |
| Max. Color | 262K |
| Luminance (cd/m ²) | 350 |
| Viewing Angle (Degree) | 140 (H) / 135 (V) |
| Contrast Ratio | 500 : 1 |
| Backlight Lifetime | 40,000 hrs |

Dimensions



Touch screen-Resistive Touch Screen

| | |
|-----------------------|----------|
| Interface | RS-232 |
| Light Transmission(%) | Over 80% |

Touch screen-Projected Capacitive Touch Screen

| | |
|-----------------------|----------|
| Interface | USB |
| Light Transmission(%) | Over 90% |

Power

| | |
|-------------|----------|
| Power Input | 9~36V DC |
|-------------|----------|

Mechanical

| | |
|--------------------|--------------------------|
| Front Bezel | Plastic / Panel Mount |
| Rear Bezel | Plastic / VESA 75 x 75 |
| Dimensions (WxHxD) | 231.1mm x 176.1mm x 45mm |

Environmental

| | |
|-----------------------|---------------------------------|
| Operating Temperature | 0~50°C |
| Storage Temperature | -20~60°C |
| Storage Humidity | 10 to 90%@ 40°C, non-condensing |
| Certificate | CE / FCC Class A |

Operating System Support

| |
|--|
| Windows Embedded Compact 7, Linux 3.2 QT 4.8.5 |
|--|

