



Features



- 7" Industrial Compact Size Panel PC
- Flat front panel touch screen
- Fanless design
- Intel Celeron N2930(1.83GHz) CPU built-in/Atom E3845(1.91GHz) for option
- Onboard 4GB DDR3L 1600 MHz/8GB(option)
- 9~36V DC wide-ranging power input
- IP65 compliant front panel
- Optional projected capacitive touchscreen support 7H anti-scratch surface



Specifications



System	
CPU	Onboard Intel Celeron N2930(1.83GHz) Processor/ Atom E3845(1.91GHz) for option
System Chipset	SoC
Memory	Onboard 4GB DDR3L 1600 MHz/8GB(option)
IO Port	
USB	2 x USB 3.0 type A
Serial/Parallel	1 x RS-232 DB-9(COM2) 1 x DB-9 RS-232/422/485 (Default RS-232)(COM1)
Audio	1 x Audio Line Out
LAN	2 x GbE LAN RJ-45
Power	1 x 3-pin DC Power input terminal 1 x 2-pin connector for power on/off button

Storage Space	
HDD	1 x SATA MO-297 SSD bay (Easy Accessible)
movable device	1 x SD card slot, up to 32GB

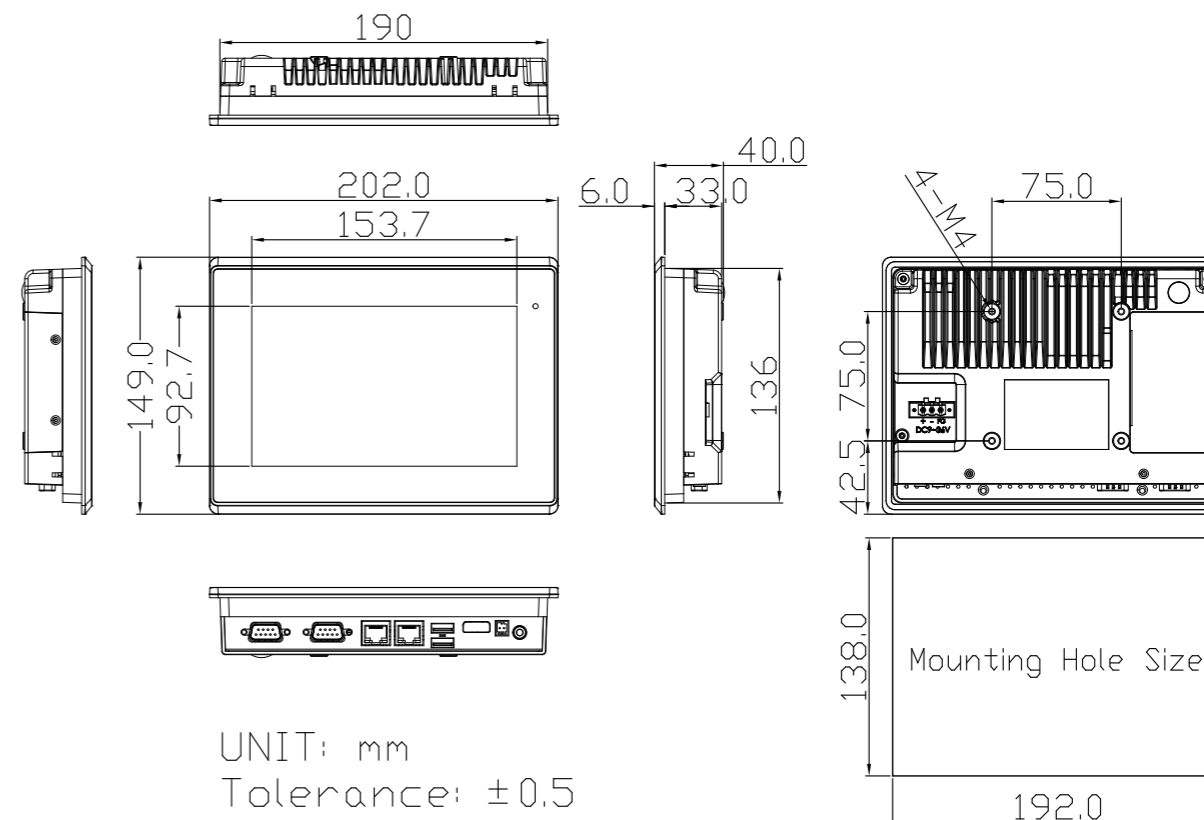
Expansion	
Expansion Slot	1 x Internal Mini-PCIe slot full size

Display	
Display Type	7" TFT-LCD
Max. Resolution	800x480
Max. Color	262K
Luminance (cd/m ²)	350
Viewing Angle (Degree)	140/110
Contrast Ratio	400:1
Backlight Lifetime	40,000 hrs

Touch screen-Resistive Touch Window Type	
TS Control IC	PenMount 6000 on Board
Interface	USB interface
Light Transmission(%)	Over 80%

Touch screen-Projected Capacitive Type	
TS Control IC	Chip on tail
Interface	USB interface
Light Transmission(%)	Over 90%

Dimensions



Power	
Power Input	9~36V DC
Power Consumption	MAX:14.1W(807) / MAX: 13.7W (807P)

Mechanical	
Color	RAL 9007
Construction	Aluminum Die-casting Front Bezel and Chassis
Mounting	Panel Mounting, VESA 75 x 75
Dimensions (WxHxD)	202mm x 149mm x 40mm
Net Weight	1.2 Kg

Environmental	
Operating Temperature	-20~50°C
Storage Temperature	-20~60°C
Storage Humidity	10 to 90%@ 40°C, non-condensing
Certificate	CE / FCC CLASS A/ UL

Operating System Support	
Windows Embedded Compact 7, Windows Embedded Standard 7, Windows 7 Pro(FES), Windows 7 Ultimate(FES), Windows Embedded 8 Standard, Windows Embedded 8.1 Industry Pro, Windows 10 IoT Enterprise 2015LTSB	

Ordering Information	
ARCHMI-807-01	7" WVGA Fanless HMI barebone with Intel N2930 1.83GHz CPU, 2GB DDR3 RAM, Resistive touch screen, 9~36V DC input with adapter, Aluminum chassis
ARCHMI-807P-01	7" WVGA Fanless HMI barebone with Intel N2930 1.83GHz CPU, 2GB DDR3 RAM, Projected Capacitive touch screen, 9~36V DC input with adapter, Aluminum chassis