

# TECO Inverter

TECO Inverter series, 7300CV model

## HMI Setting:

Parameters	Recommend	Option	Notes
PLC type	TECO Inverter		
Com port	RS232	RS232/RS485	
Baud rate	38400		
Parity bit	None		
Data Bits	8		
Stop Bits	1		
HMI Station No.	0		
PLC Station No.	1		

## Device address:

Bit/Word	Device Type	Format	Range	Memo
B	0x	dddd	1-65535	Output bit
B	1x	dddd	1-65535	Input bit (read only)
B	3x_Bit	dddd(dd)	100-6553515	Input Register bit (read only)
B	4x_Bit	dddd(dd)	100-6553515	Output Register bit
B	0x (0x0f)	dddd	1-65535	Write Multiple Coils
W	3x	dddd	1-65535	Input Register (read only)
W	4x	dddd	1-65535	Output Register
DW	5x	dddd	1-65535	4x double word swap
W	6x	dddd	1-65535	4x single word write

## Wiring diagram:



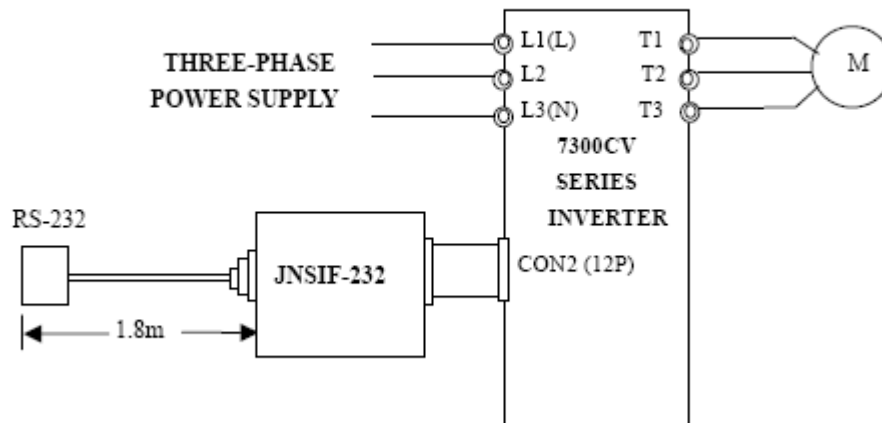
MT8000



JNSIF-232



**JNSIF-232Wiring Diagram:**



MT8000 RS-232		TECO Inverter
9P D-SUB COM1		RS232
2 RX	—————	2 TX
3 TX	—————	3 RX
5 GND	—————	5 GND
7 RTS	—————	7 VCC